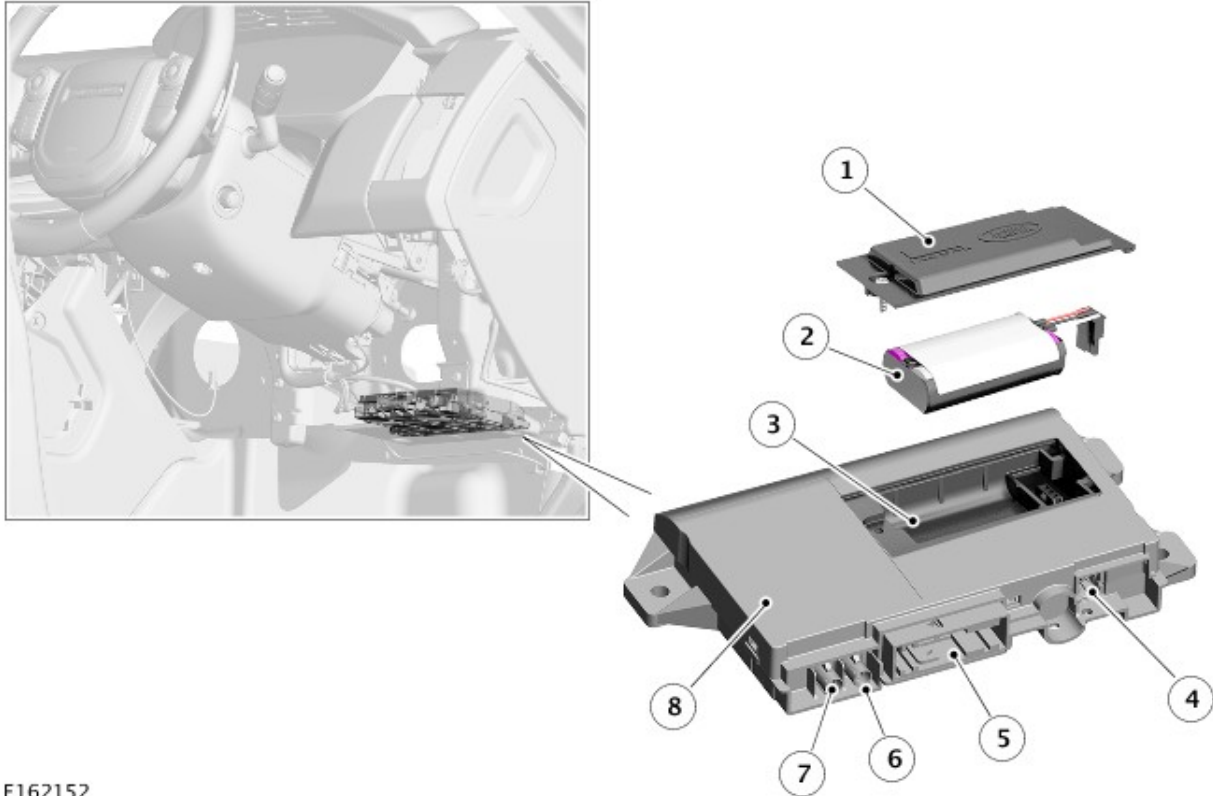


- The internet connection is provided by the Telematics Control Module (TCU), using a customer provided Subscriber Identification Module (SIM) card located in the 3G WiFi module.

## DESCRIPTION

### TELEMATICS CONTROL MODULE



E162152

ITEM	DESCRIPTION
1	Battery cover
2	Battery pack
3	Battery tray
4	3G WiFi Module connector
5	Electrical connector
6	GPS antenna connector
7	GSM antenna connector
8	Telematics Control Module (TCU)

The TCU is located below the steering column, behind the instrument panel lower trim panel. The TCU is attached to a bracket which in turn is attached the instrument panel cross-car beam.