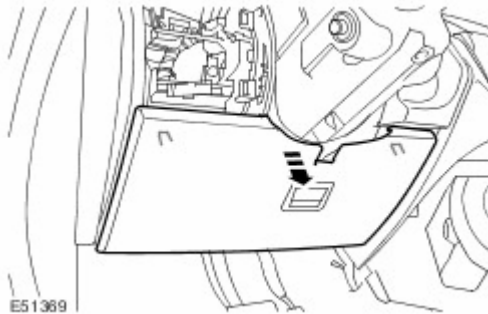


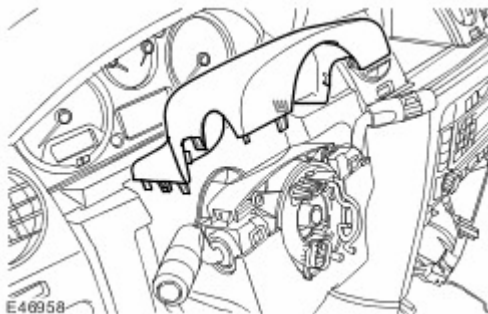
Instrument Cluster (80.20.01.99)

Removal

- 1 . Fully extend the steering column for access.
- 2 . Disconnect the battery ground cable.
For additional information, refer to Specifications
- 3 . Remove the steering wheel.
For additional information, refer to Steering Wheel (57.61.01)
- 4 . Remove the headlamp switch trim panel.
For additional information, refer to Headlamp Switch (86.65.09)
- 5 . Remove the instrument panel access panel.
▶ Release the 2 clips.



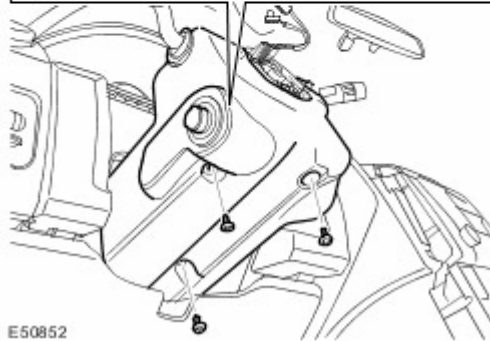
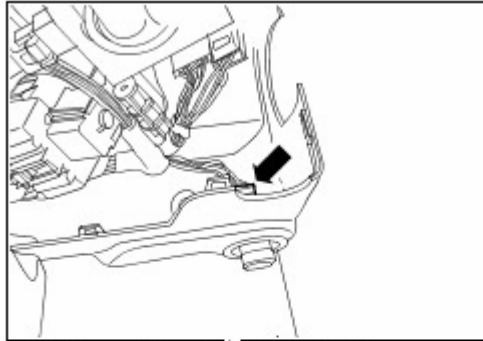
- 6 . Remove the steering column upper shroud.
▶ Release the 6 clips.



7 . Remove the steering column lower shroud.

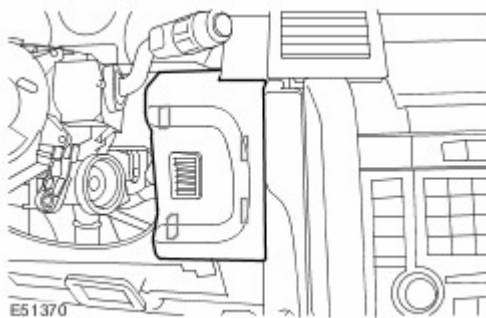
▶ Remove the 3 Torx screws.

▶ Disconnect the electrical connector.

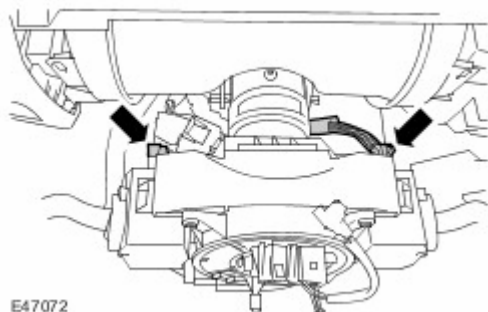


8 . Remove the steering column side trim panel.

▶ Release the 4 clips.

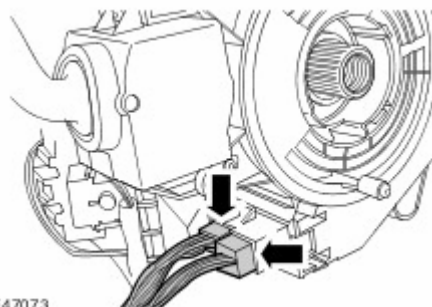


- 9 . Disconnect the 2 electrical connectors from the steering column multifunction switches.



E47072

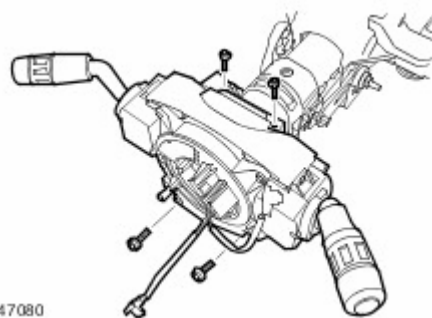
- 10 . Disconnect the 2 electrical connectors from the clockspring.



E47073

- 11 . Remove the steering column switch assembly.

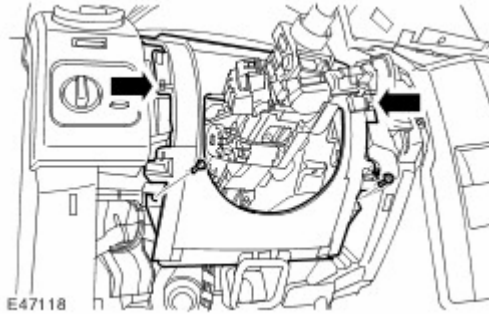
▶ Remove the 4 Torx bolts.



E47080

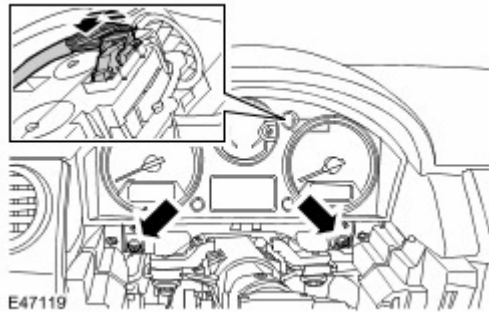
12 . Remove the steering column gaiter panel.

- ▶ Remove the 2 Torx screws.
- ▶ Release the 2 clips.



13 . Remove the instrument cluster.

- ▶ Remove the 2 Torx screws.
- ▶ Disconnect the electrical connector.



Installation

1 . Install the instrument cluster.

- ▶ Connect the electrical connector.
- ▶ Tighten the Torx screws.

2 . Install the steering column gaiter panel.

- ▶ Secure with the clips.
- ▶ Tighten the Torx screws.

- 3 . Install the steering column switch assembly.
 - ▶ Tighten the Torx bolts to 3 Nm (2 lb.ft).
- 4 . Connect the clockspring and multifunction switch electrical connectors.
- 5 . Install the steering column side trim panel.
 - ▶ Secure with the clips.
- 6 . Install the steering column shrouds.
 - ▶ Connect the electrical connector.
 - ▶ Tighten the Torx screws.
 - ▶ Secure the clips.
- 7 . Install the instrument panel access panel.
 - ▶ Secure with the clips.
- 8 . Install the headlamp switch trim panel.
 - For additional information, refer to Headlamp Switch (86.65.09)
- 9 . Install the steering wheel.
 - For additional information, refer to Steering Wheel (57.61.01)
- 10 . Connect the battery ground cable.
 - For additional information, refer to Specifications