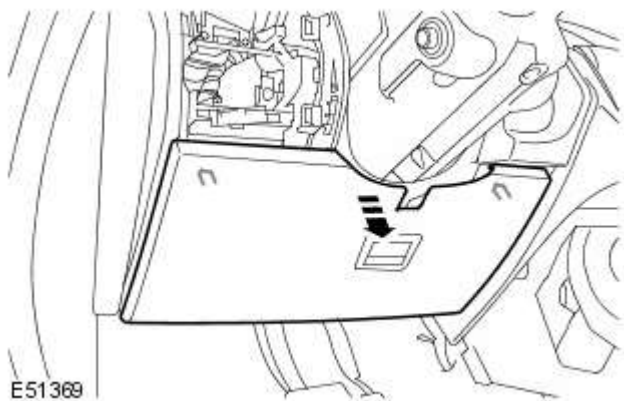


Instrument Cluster - Instrument Cluster

Removal and Installation

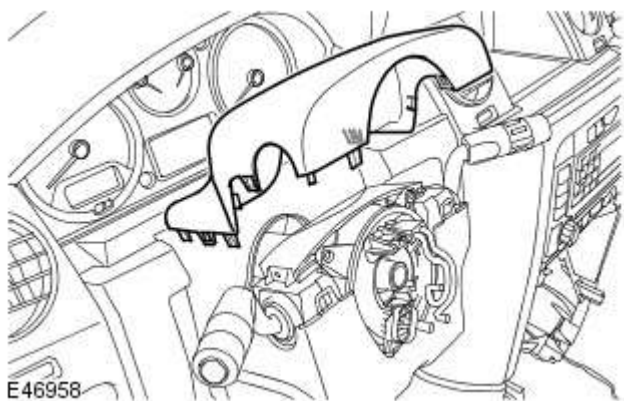
Removal

1. Fully extend the steering column for access.
2. Disconnect the battery ground cable.
For additional information, refer to: [Specifications](#) (414-00 Battery and Charging System - General Information, Specifications).
3. Remove the steering wheel.
For additional information, refer to: [Steering Wheel](#) (211-04 Steering Column, Removal and Installation).
4. Remove the headlamp switch trim panel.
For additional information, refer to: [Headlamp Switch](#) (417-01 Exterior Lighting, Removal and Installation).
5. Remove the instrument panel access panel.
 - Release the 2 clips.



E51369

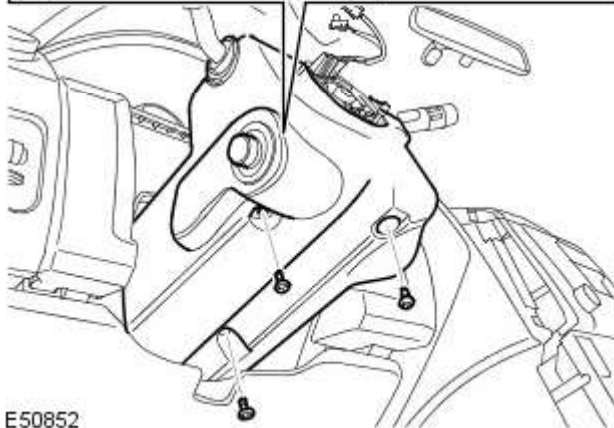
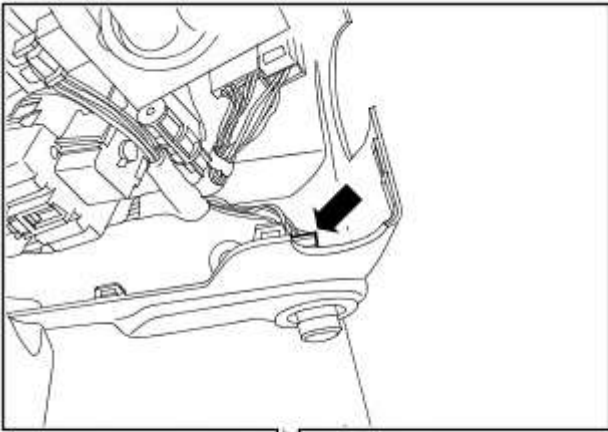
6. Remove the steering column upper shroud.
 - Release the 6 clips.



E46958

7. Remove the steering column lower shroud.

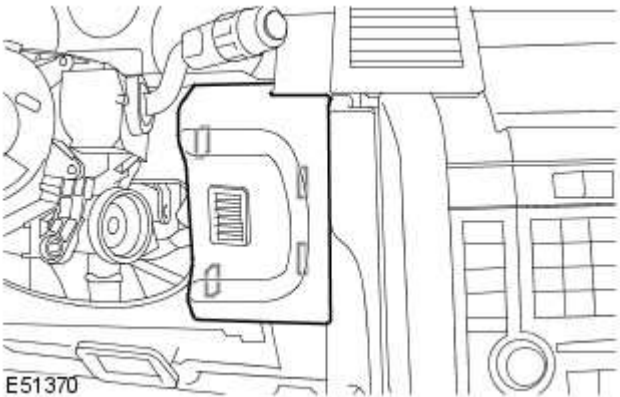
- Remove the 3 Torx screws.
- Disconnect the electrical connector.



E50852

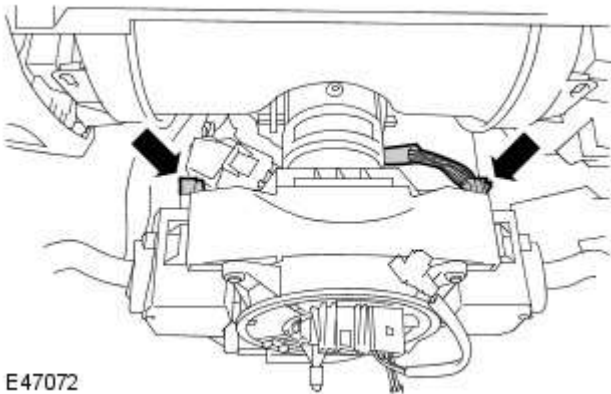
8. Remove the steering column side trim panel.

- Release the 4 clips.



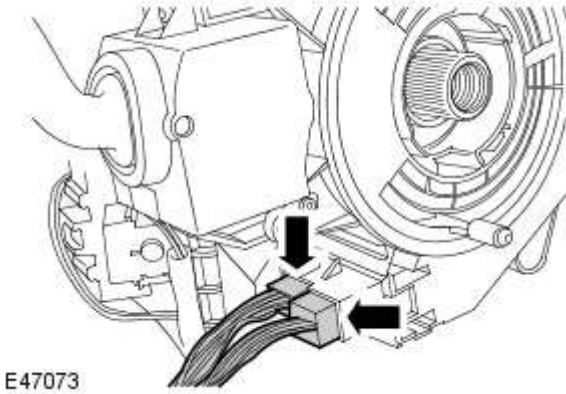
E51370

9. Disconnect the 2 electrical connectors from the steering column multifunction switches.



E47072

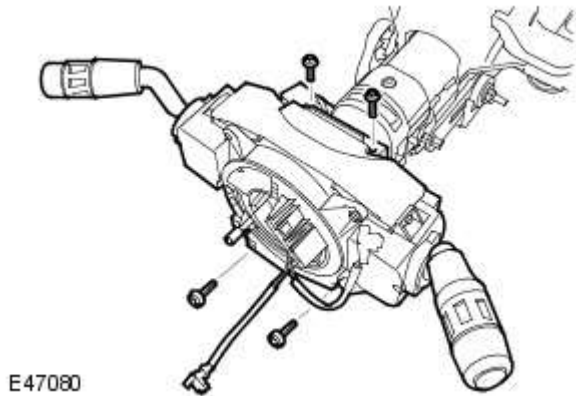
10. Disconnect the 2 electrical connectors from the clockspring.



E47073

11. Remove the steering column switch assembly.

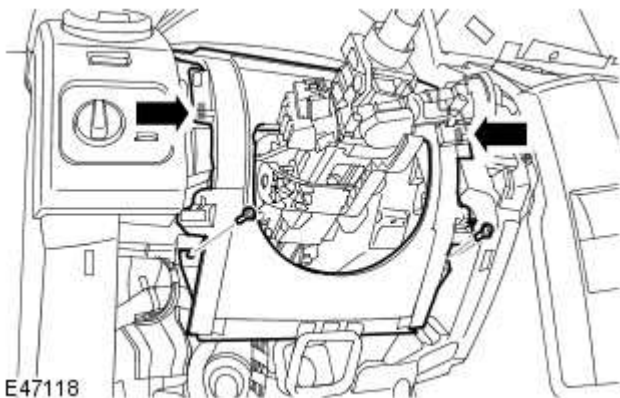
- Remove the 4 Torx bolts.



E47080

12. Remove the steering column gaiter panel.

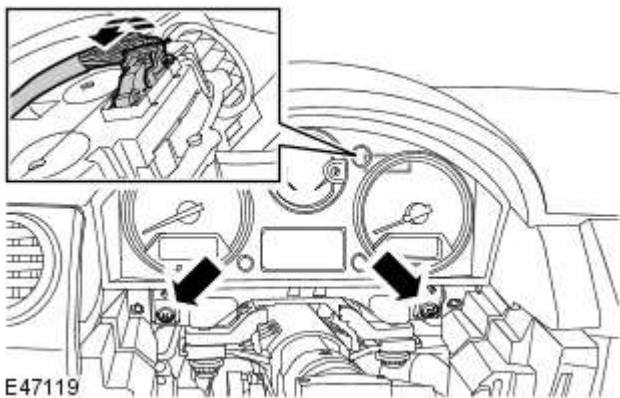
- Remove the 2 Torx screws.
- Release the 2 clips.



E47118

13. Remove the instrument cluster.

- Remove the 2 Torx screws.
- Disconnect the electrical connector.



E47119

Installation

1. Install the instrument cluster.
 - Connect the electrical connector.
 - Tighten the Torx screws.
2. Install the steering column gaiter panel.
 - Secure with the clips.
 - Tighten the Torx screws.
3. Install the steering column switch assembly.
 - Tighten the Torx bolts to 3 Nm (2 lb.ft).
4. Connect the clockspring and multifunction switch electrical connectors.
5. Install the steering column side trim panel.
 - Secure with the clips.
6. Install the steering column shrouds.
 - Connect the electrical connector.
 - Tighten the Torx screws.
 - Secure the clips.
7. Install the instrument panel access panel.
 - Secure with the clips.
8. Install the headlamp switch trim panel.

For additional information, refer to: [Headlamp Switch](#) (417-01 Exterior Lighting, Removal and Installation).
9. Install the steering wheel.

For additional information, refer to: [Steering Wheel](#) (211-04 Steering Column, Removal and Installation).
10. Connect the battery ground cable.

For additional information, refer to: [Specifications](#) (414-00 Battery and Charging System - General Information, Specifications).