

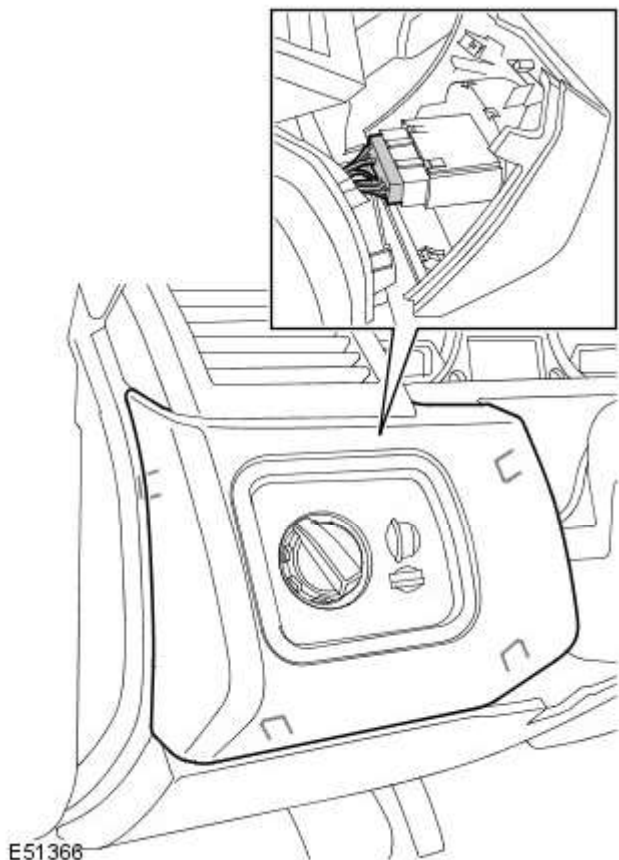
## Exterior Lighting - Headlamp Switch

Removal and Installation

### Removal

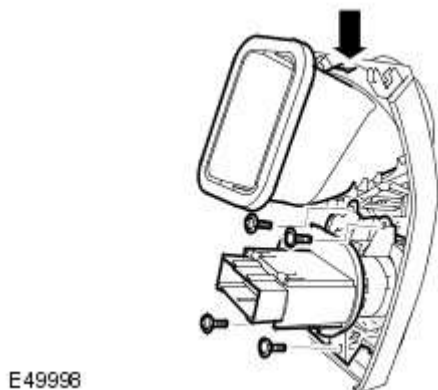
1. Remove the headlamp switch trim panel.

- Release the 4 clips.
- Disconnect the electrical connector.



2. Remove the headlamp switch.

- Remove the 4 Torx screws.



### Installation

1. Install the headlamp switch.

- Tighten the Torx screws.

2. Install the headlamp switch trim panel.

- Connect the electrical connector.
- Secure with the clips.