

PUBLISHED: 08-MAR-2017
2016.0 RANGE ROVER (LG), 206-03

FRONT DISC BRAKE

BRAKE CALIPER DUST BOOT - VEHICLES WITH: HIGH PERFORMANCE BRAKES (G2142187)

REMOVAL

⚠ CAUTION:

Brake fluid will damage paint finished surfaces. If spilled, immediately remove the fluid and clean the area with water.

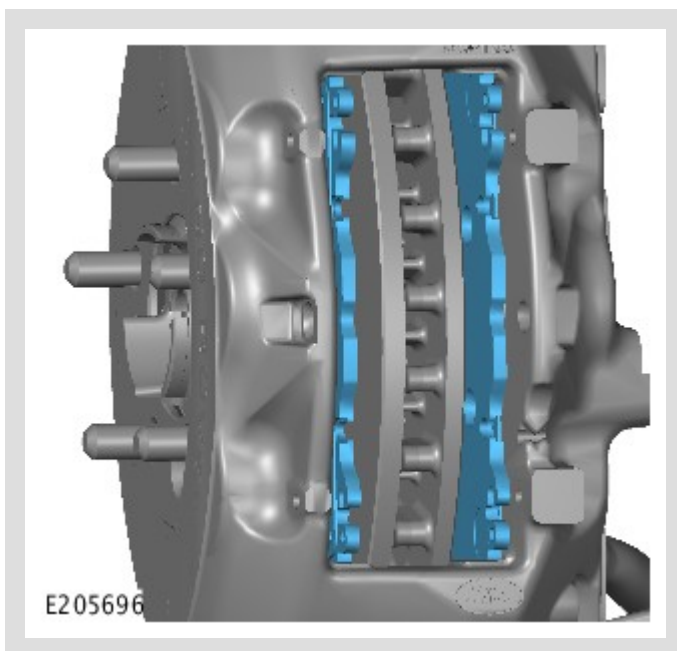
⚠ NOTES:

- This procedure contains some variation in the illustrations depending on the vehicle specification, but the essential information is always correct.
- This procedure contains illustrations showing certain components removed to provide extra clarity.

1. Raise and support the vehicle on a suitable 2 post lift.
Refer to: [Lifting - \[+\] Without Armour](#) (100-02 Jacking and Lifting, Description and Operation).

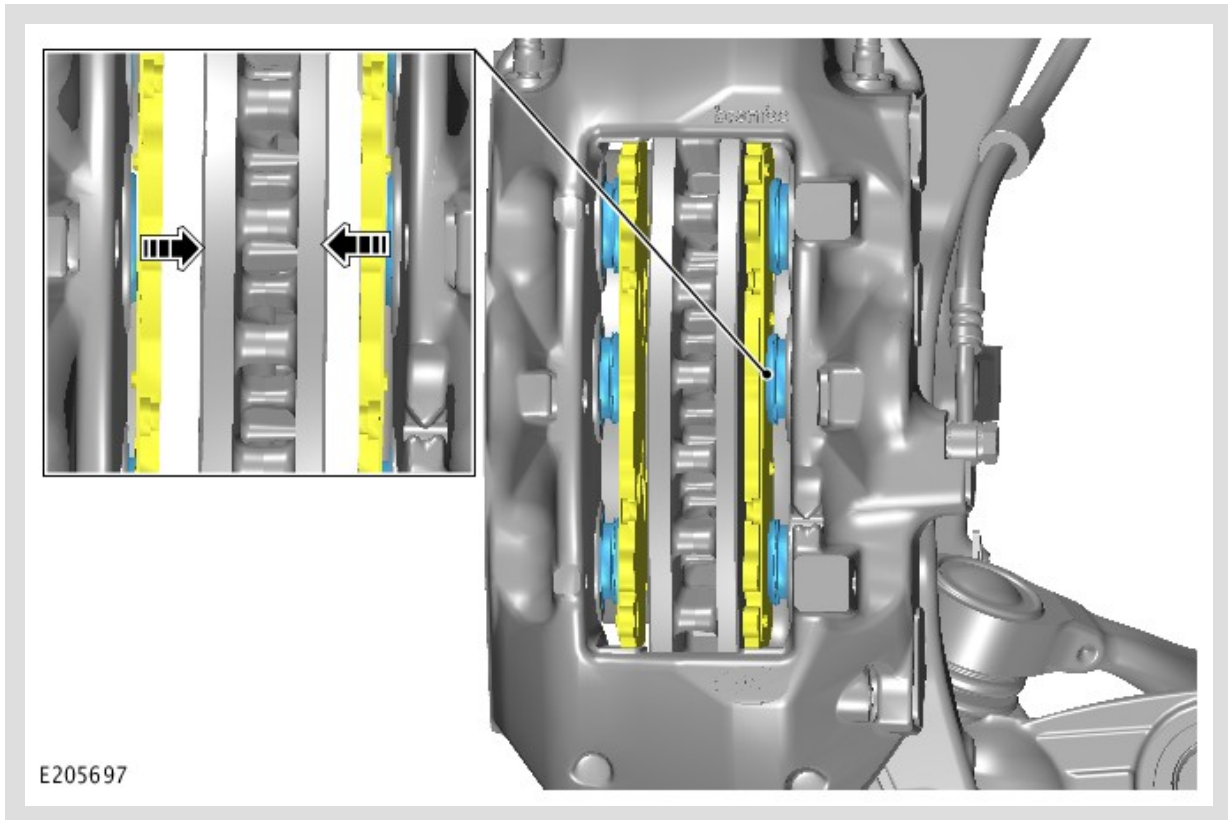
2. Remove the brake pads.
Refer to: [Brake Pads - Vehicles With: High Performance Brakes](#) (206-03 Front Disc Brake, Removal and Installation).

3.



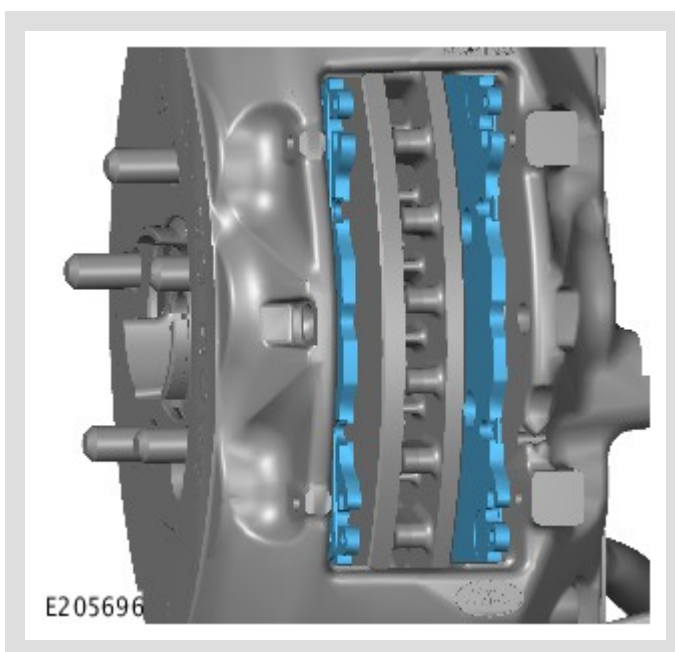
Install 2 suitable 10 mm shims in the illustrated position. This will allow the caliper pistons to be extended without the risk of them being fully removed.

4.



Apply pressure to the brake pedal to allow the caliper pistons to be partially extended.

5.



Remove the 2 10 mm shims.

6.

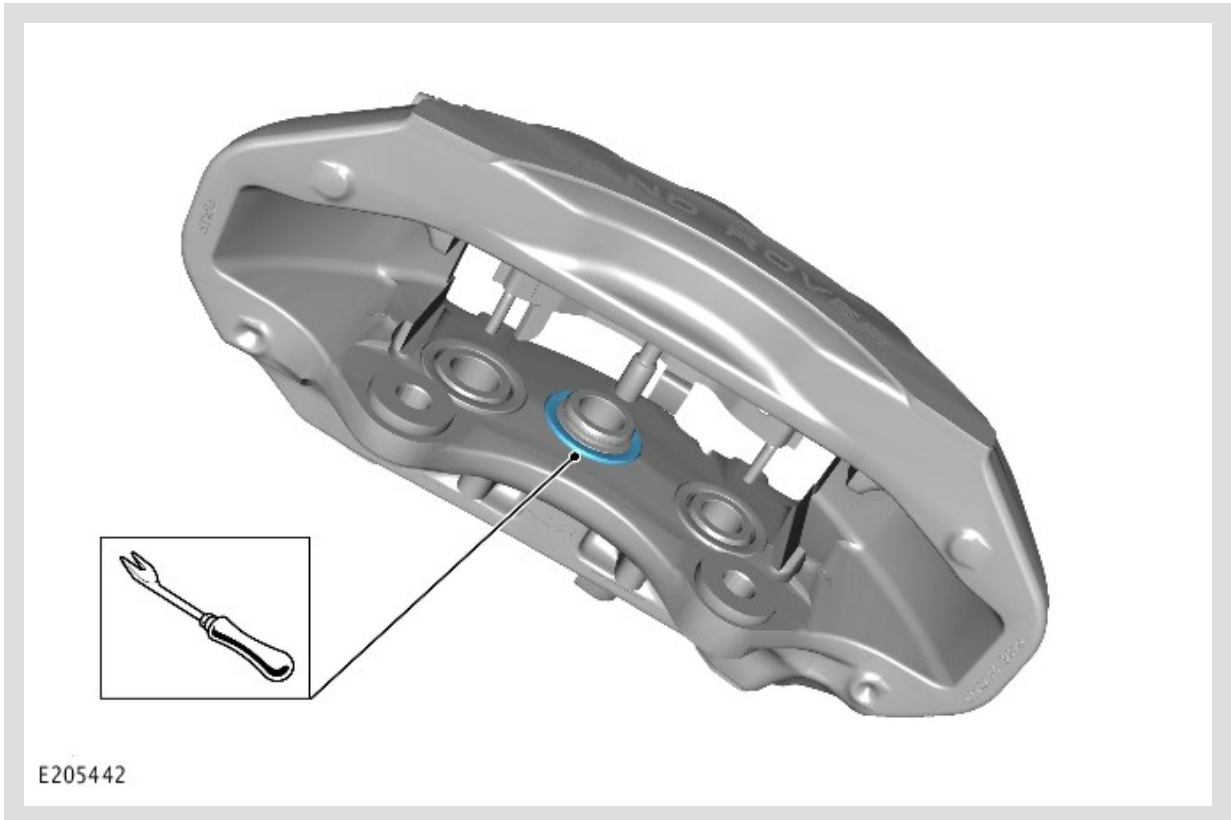
Remove the brake caliper.

Refer to: [Brake Caliper - Vehicles With: High Performance Brakes](#) (206-03 Front Disc Brake, Removal and Installation).

7.

⚠ WARNING:

Be prepared to collect escaping fluid.

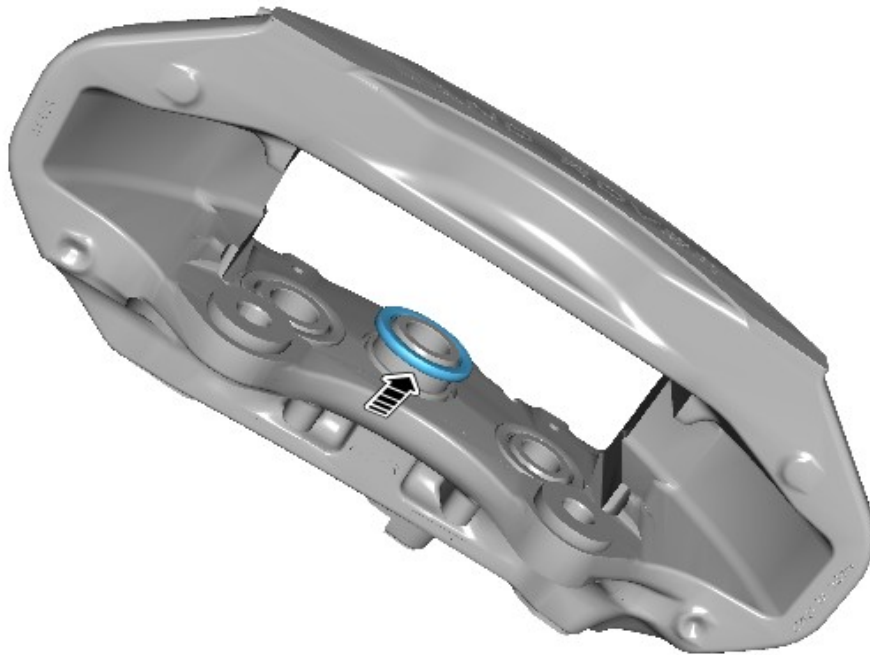


Using a suitable trim tool or pick, release the caliper dust boot from the caliper assembly.

8.

WARNING:

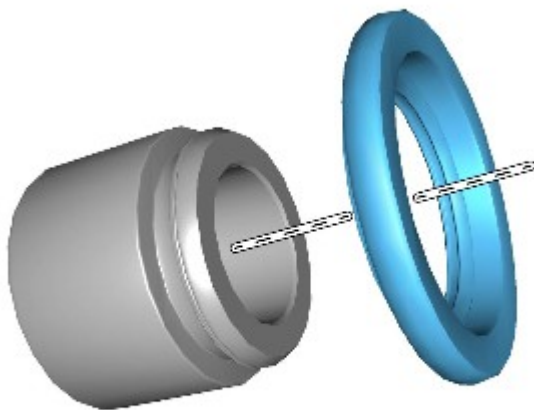
Be prepared to collect escaping fluid.



E205592

- Slide the caliper dust boot up the caliper piston to allow the caliper piston to be inspected.
- Clean and inspect the caliper piston, If corrosion is visible a new caliper is required.

9.

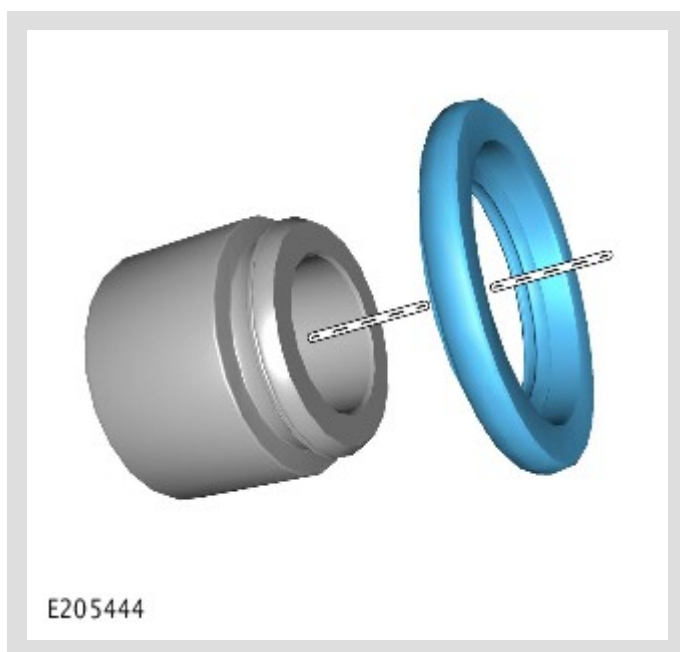


E205444

Remove the caliper dust boot from the caliper piston.

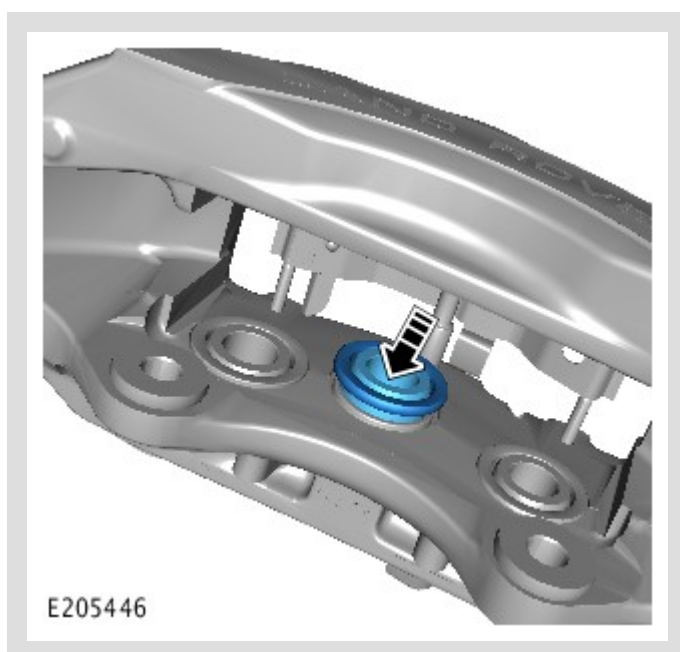
INSTALLATION

1.




Install the caliper dust boot onto the piston caliper. Make sure the caliper dust boot is located correctly onto the piston.

2.

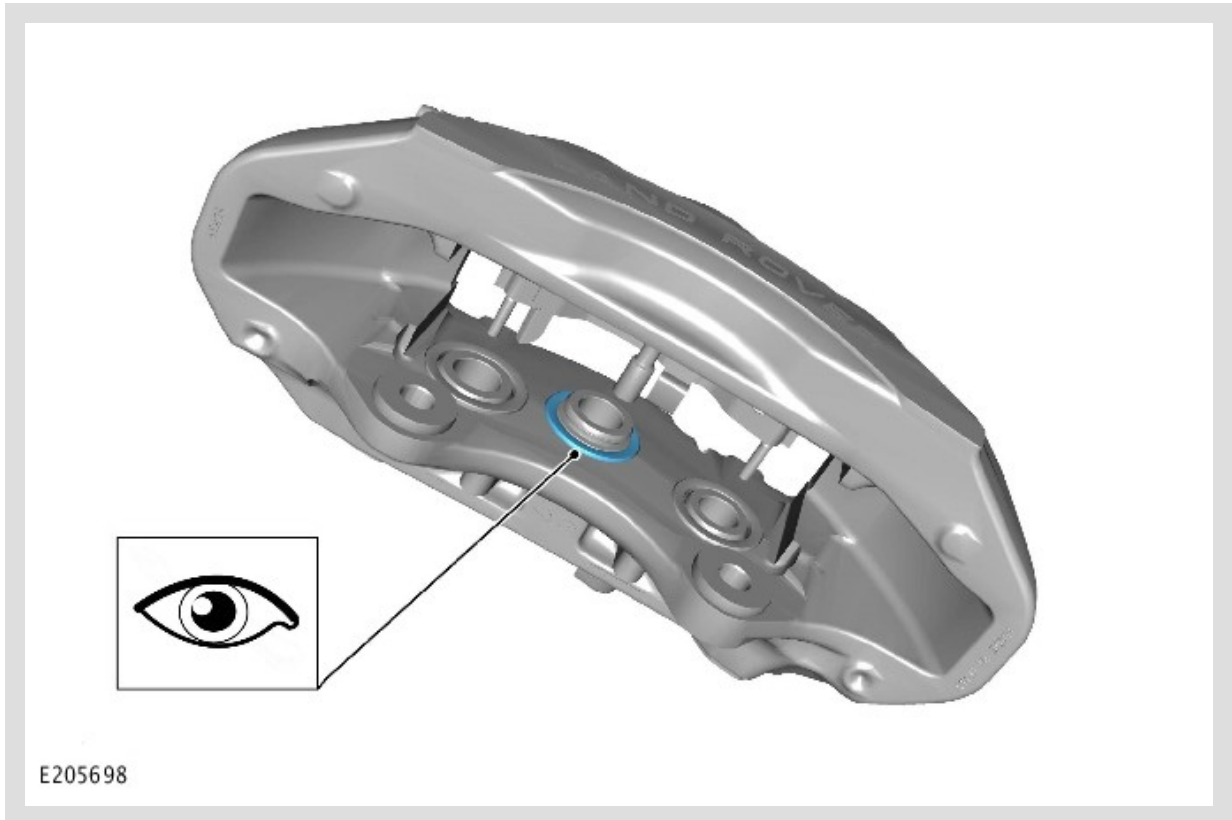


Carefully push the caliper dust boot and the caliper piston partially into the caliper bore. Make sure that there is no damage to the piston surfaces during this installation.

3.

 **NOTE:**

Make sure the caliper dust seal is corrected fitted.



Fully install the caliper dust boot into the caliper bore. Inspect the caliper dust boot to make sure that it is fitted correctly.

4. Install the brake caliper.

Refer to: [Brake Caliper - Vehicles With: High Performance Brakes](#) (206-03 Front Disc Brake, Removal and Installation).