



## Engine Oil Draining and Filling (12.60.05)

### Special Service Tools



Oil filter element remover  
303-1128

- 1 . Disconnect the battery ground cable.

[Specifications](#)

- 2 .



**WARNING: Do not work on or under a vehicle supported only by a jack. Always support the vehicle on safety stands.**

Raise and support the vehicle.

- 3 . Remove the engine cover.

[Engine Cover - 2.7L Diesel \(12.30.50\)](#)

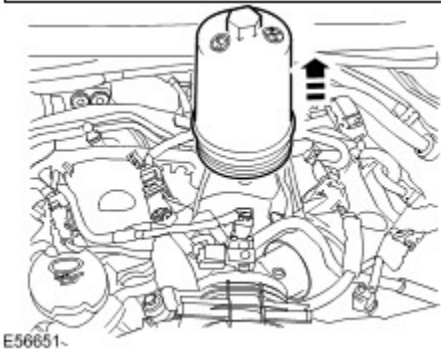
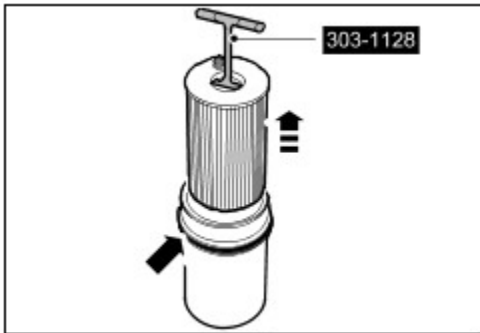
- 4 .



**CAUTION: When removing the oil filter assembly, make sure the fuel temperature sensor is not damaged.**

Using the special tool, remove the oil filter element.

- Loosen the element cover 4 complete turns to allow engine oil to drain from the filter cover.
- Remove element cover.
- Remove and discard the O-ring seal.

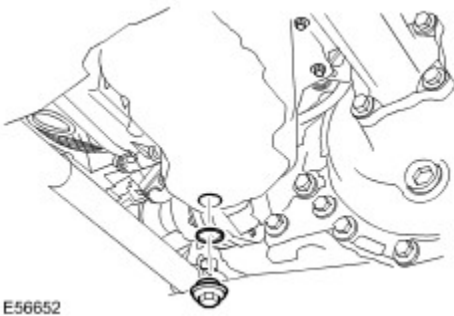


5 . Remove the engine undershield.

[Engine Undershield \(76.10.50\)](#)

6 . Remove the lubricant drain plug.

- Position a container to collect the fluid.
- Discard the oil pan drain plug seal.



7 . Install the lubricant drain plug.

- Clean the component mating faces.
- Install a new sealing washer.
- Tighten the drain plug to 25 Nm (18 lb.ft).

8 . Install the oil filter element.

- Clean the components.
- Make sure the oil filter element spigot aligns with the hole in the filter housing.

- Install a new O-ring seal.
- Tighten the element cover to 25 Nm (18 lb.ft).

9 . Fill the engine with oil.

10 . Install the engine undershield.  
[Engine Undershield \(76.10.50\)](#)

11 . Install the engine cover.  
[Engine Cover - 2.7L Diesel \(12.30.50\)](#)

12 . Connect the battery ground cable.  
[Specifications](#)

13 . Check and top-up the engine oil.