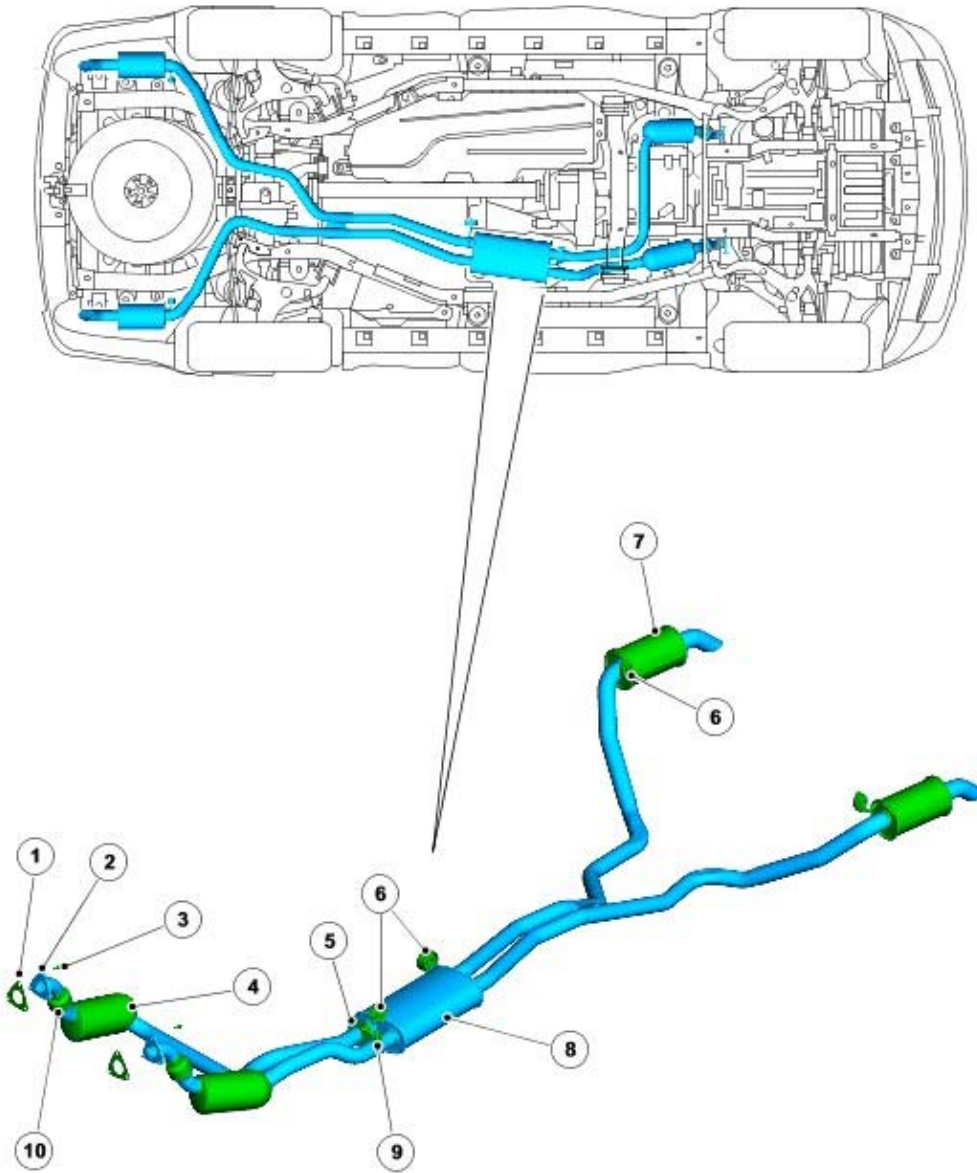


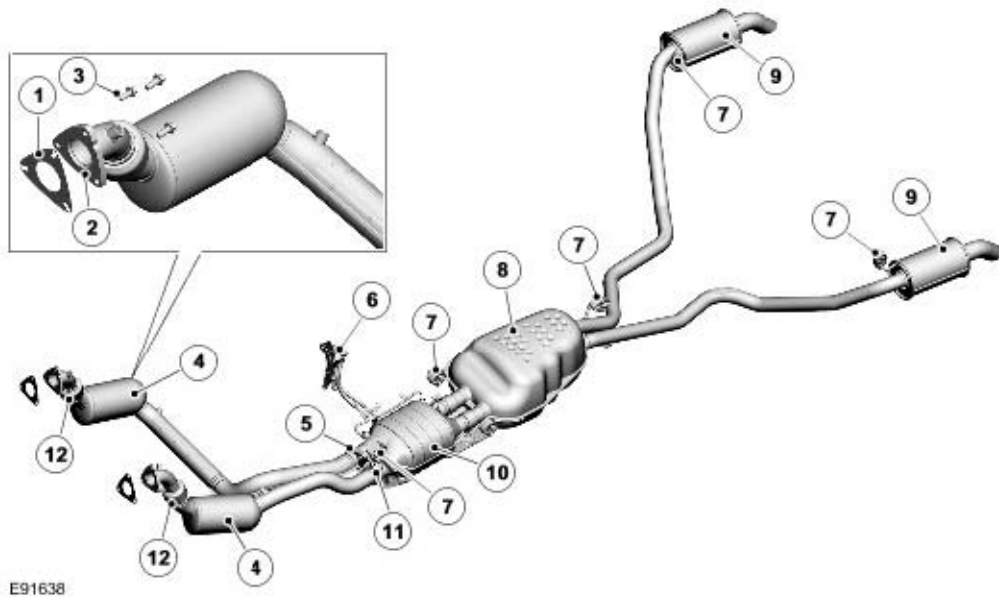
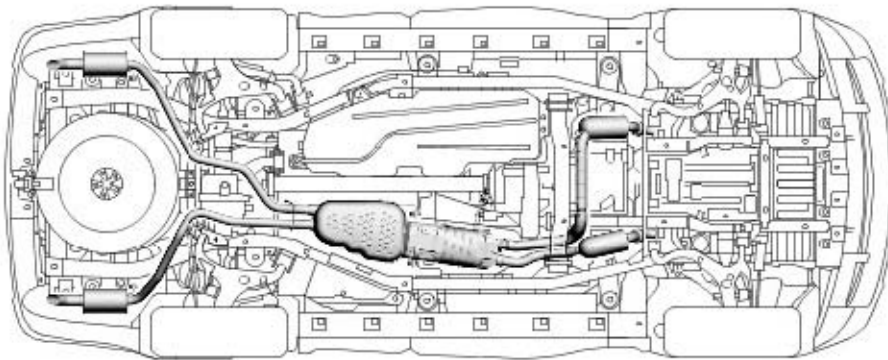
Exhaust System TDV8 EXHAUST SYSTEM COMPONENT LOCATION - WITHOUT DIESEL PARTICULATE FILTER



EB7512

Item	Description
1.	Gasket - Turbocharger to exhaust flange (2 Off)
2.	Exhaust flange (2 off)
3.	Mounting bolt (6 off)
4.	Catalytic converter (2 off)
5.	Flange - RH (right-hand) front section to rear section
6.	Mounting rubber
7.	Silencer - rear
8.	Silencer - front
9.	Clamp - LH (left-hand) front section to rear section
10.	Flexible decoupler (2 off)

TDV8 EXHAUST SYSTEM COMPONENT LOCATION - WITH OPTIONAL DIESEL PARTICULATE FILTER - FROM 2008 MY (WHERE FITTED)



E91638

Item	Description
1.	Gasket - Turbocharger to exhaust flange (2 off)
2.	Exhaust flange (2 off)
3.	Mounting bolt (6 off)
4.	Catalytic converter
5.	Flange and gasket - RH (right-hand) front section to Diesel Particulate Filter (DPF)
6.	Differential pressure sensor
7.	Mounting rubber
8.	Silencer – front
9.	Silencer - rear
10.	Diesel Particulate Filter (DPF)
11.	Clamp - LH (left-hand) front section to DPF
12.	Flexible decoupler