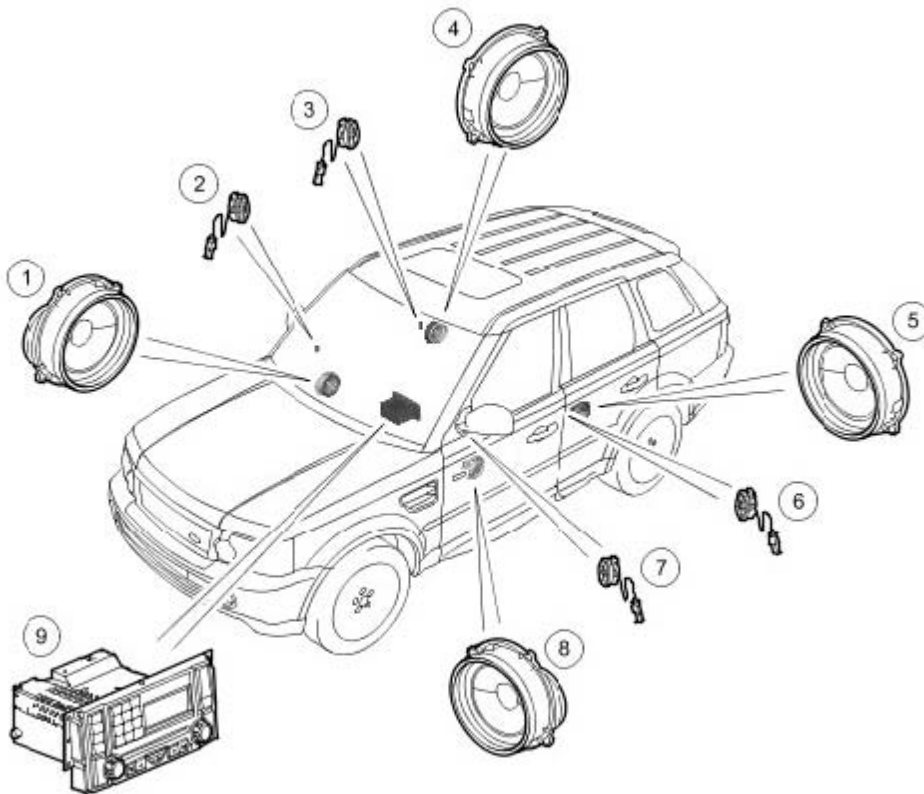


Speakers

The speaker configuration depends on the level of audio and head unit fitted to the vehicle. The following details the speaker configuration and control for each system.

LOW LINE AUDIO SYSTEM

Low Line Audio System Speaker Component Location



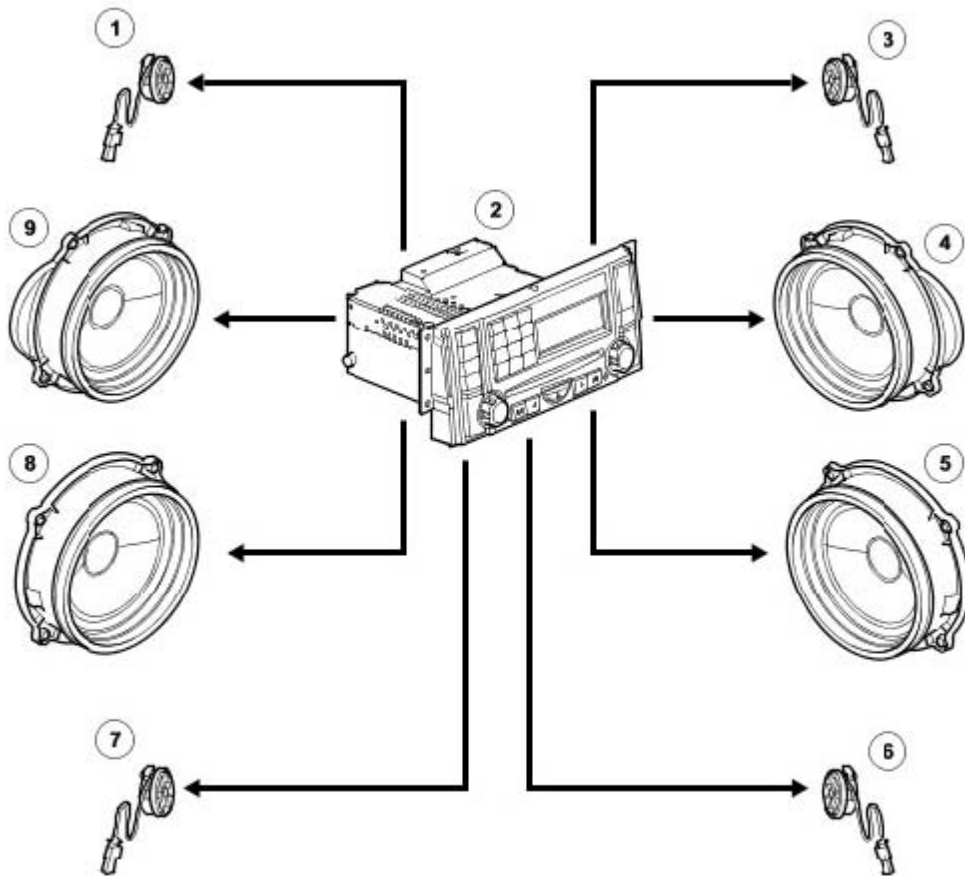
E56921

<u>Item</u>	<u>Description</u>
1.	Front RH (right-hand) door mid/bass speaker
2	Front RH (right-hand) door tweeter
3	Rear RH (right-hand) door tweeter
4	Rear RH (right-hand) door full range speaker
5	Rear LH (left-hand) door full range speaker
6	Rear LH (left-hand) door tweeter
7	Front LH (left-hand) door tweeter
8	Front LH (left-hand) door mid/bass speaker
9	Integrated Head unit (IHU)

Low Line Audio System Speaker Control Diagram

NOTE:

A= Hardwired



E56922

A →

<u>Item</u>	<u>Description</u>
1	Front LH (left-hand) tweeter
2	Integrated Head Unit (IHU)
3	Front RH (right-hand) tweeter
4	Front RH (right-hand) mid/bass speaker
5	Rear RH (right-hand) full range speaker
6	Rear RH (right-hand) tweeter
7	Rear LH (left-hand) tweeter
8	Rear LH (left-hand) full range speaker

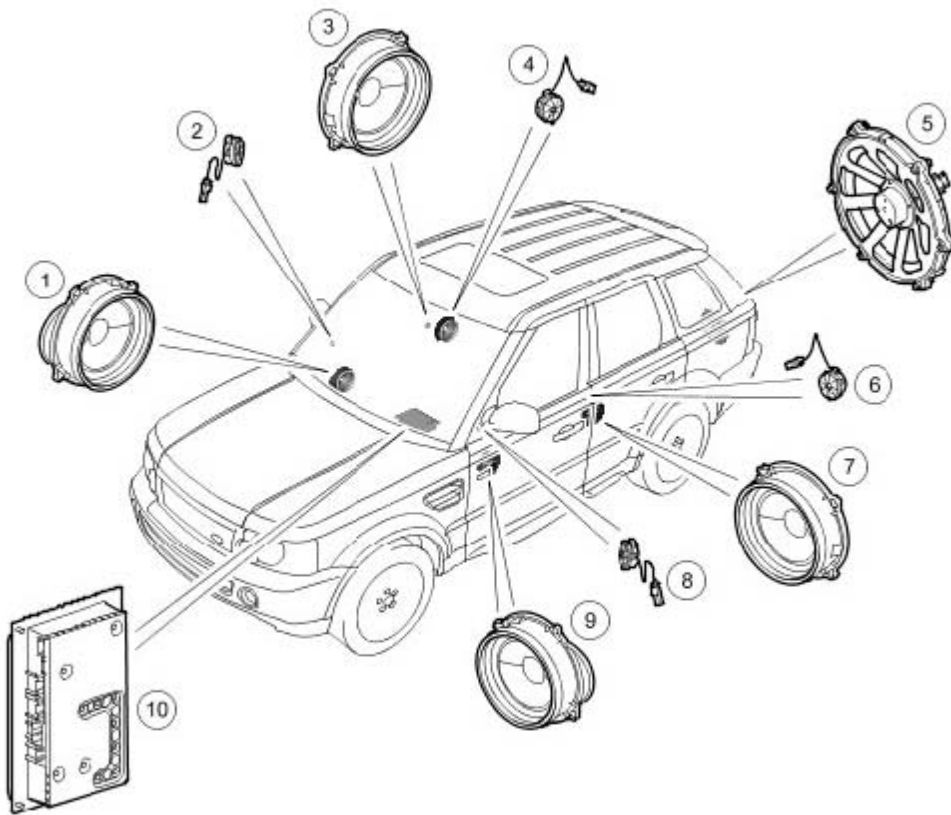
The low line audio speaker system is driven directly from the Integrated Head Unit (IHU) For additional information, refer to Audio System (415-01).

The system comprises:

- *Head unit
- *Two front door mounted mid/bass speakers (one per side)
- *Two front door mounted tweeters (one per side)
- *Two rear door mounted full range speakers (one per side).

HIGH LINE-HARMAN/KARDON AUDIO SYSTEM

High line-Harman/Kardon Audio System Speaker Component Location



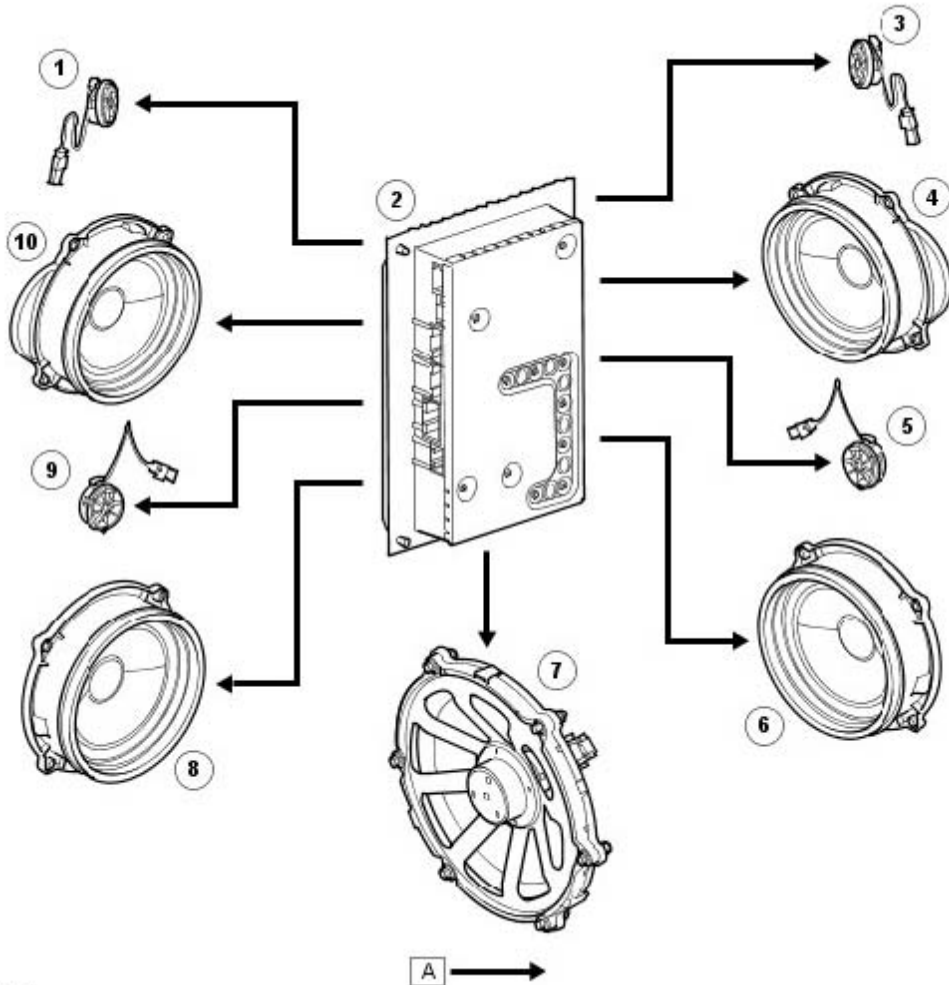
E56923

<u>Item</u>	<u>Description</u>
1	Front RH (right-hand) mid/bass speaker
2	Front RH (right-hand) tweeter
3	Rear RH (right-hand) mid/bass range
4	Rear RH (right-hand) tweeter
5	Sub-woofer
6	Rear LH (left-hand) tweeter
7	Rear LH (left-hand) mid/bass range
8	Front LH (left-hand) tweeter
9	Front LH (left-hand) mid/bass speaker
10	High line amplifier

High line-Harman/Kardon Audio System Speaker Control Diagram

NOTE:

A= Hardwired



E48353

<u>Item</u>	<u>Description</u>
1	Front LH (left-hand) tweeter
2	High line amplifier
3	Front RH (right-hand) tweeter
4	Front RH (right-hand) mid/bass speaker
5	Rear RH (right-hand) tweeter
6	Rear RH (right-hand) mid/bass speaker
7	Sub-woofer
8	Rear LH (left-hand) mid/bass speaker
9	Rear LH (left-hand) tweeter
10	Front LH (left-hand) mid/bass speaker

The High line-Harman/Kardon audio speaker system is driven by an amplifier located under the RH (right-hand) front seat. The amplifier is controlled by the Integrated Head Unit (IHU) on the MOST bus and supplies 6x50 Watts output, giving a total system power rating of 300 Watts. For additional information, refer to Audio System (415-01 Audio Unit).

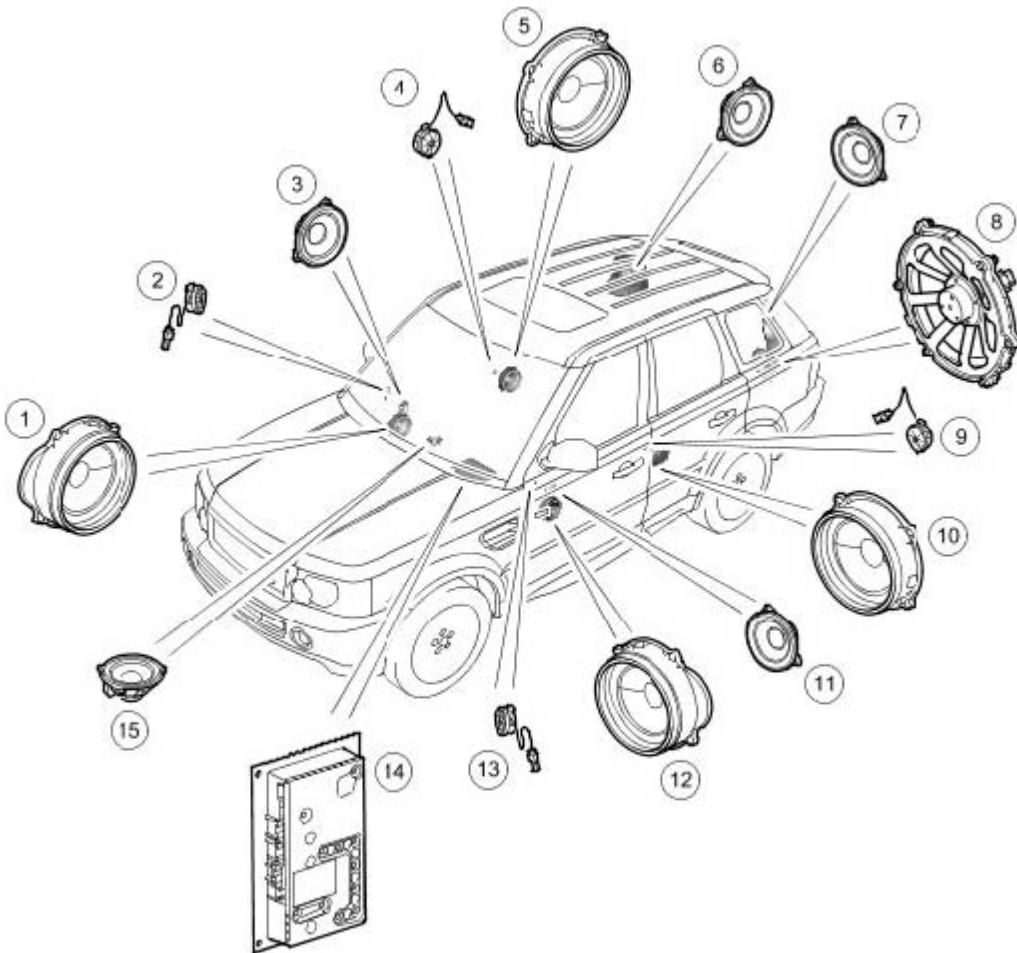
The system comprises:

- *Integrated Head Unit (IHU) Head unit
- *Two front door mounted mid/bass range speakers (one per side)
- *Two front door mounted tweeters (one per side)
- *Two rear door mounted mid/bass range speakers (one per side)

- *Two rear door mounted tweeters (one per side)
- *A sub-woofer located in the lower tailgate
- *An audio amplifier located under the front RH (right-hand) seat.

PREMIUM AUDIO SYSTEM - HARMAN/KARDON LOGIC7

Premium Audio - Harman/Kardon LOGIC7 Audio System Speaker Component Location



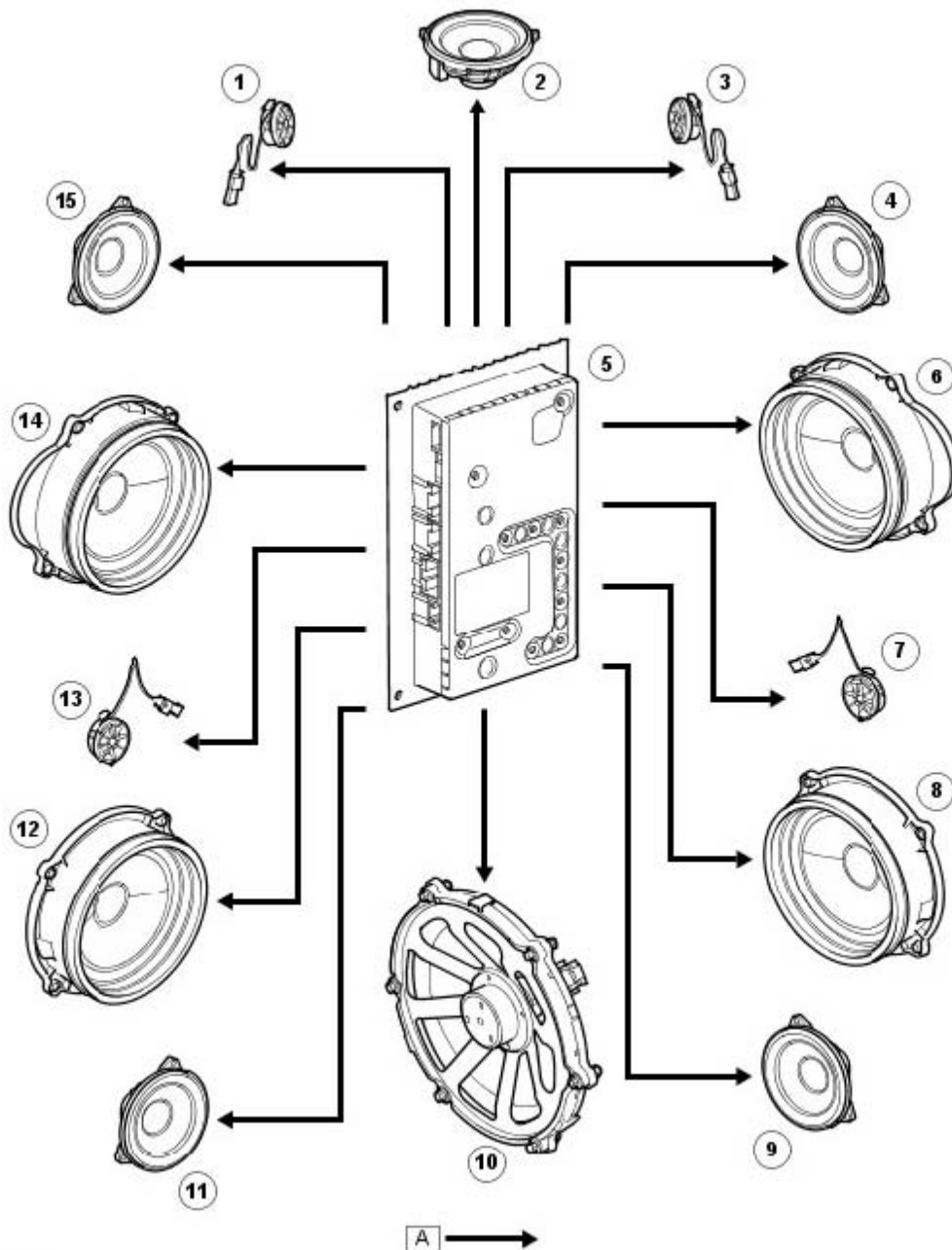
E56924

<u>Item</u>	<u>Description</u>
1	Front RH (right-hand) bass speaker
2	Front RH (right-hand) tweeter
3	Front RH (right-hand) mid range speaker
4	Rear RH (right-hand) tweeter
5	Rear RH (right-hand) mid/bass speaker
6	Rear RH (right-hand) surround speaker
7	Rear LH (left-hand) surround speaker
8	Sub-woofer
9	Rear LH (left-hand) tweeter
10	Rear LH (left-hand) mid/bass speaker
11	Front LH (left-hand) mid range speaker
12	Front LH (left-hand) bass speaker
13	Front LH (left-hand) tweeter
14	Premium amplifier
15	Front center fill speaker

Premium Audio - Harman/Kardon LOGIC7 Audio System Speaker Control Diagram

NOTE:

A= Hardwired



E48354

<u>Item</u>	<u>Description</u>
1	Front LH (left-hand) tweeter
2	Front center fill speaker
3	Front RH (right-hand) tweeter
4	Front RH (right-hand) mid range speaker
5	Premium amplifier
6	Front RH (right-hand) bass speaker
7	Rear RH (right-hand) tweeter
8	Rear RH (right-hand) mid/bass range speaker
9	Rear RH (right-hand) surround speaker
10	Sub-woofer
11	Rear LH (left-hand) surround speaker
12	Rear LH (left-hand) mid/bass range speaker
13	Rear LH (left-hand) tweeter
14	Front LH (left-hand) bass speaker
15	Front LH (left-hand) mid range speaker

The Premium Audio - Harman/Kardon LOGIC7 audio speaker system is driven by an amplifier located under the RH (right-hand) front seat. The amplifier is controlled by the Integrated Head Unit (IHU) on the MOST bus and supplies 12x50 Watts output, giving a total system power rating of 600 Watts. The system comprises:

- *Integrated Head Unit (IHU) Head unit
- *Two front door mounted mid range speakers (one per side)
- *Two front door mounted bass speakers (one per side)
- *Two front door mounted tweeters (one per side)
- *Two rear door mounted mid/bass range speakers (one per side)
- *Two rear door mounted tweeters (one per side)
- *A sub-woofer located in the lower tailgate
- *Two rear surround speakers
- *One center fill speaker located in the center of the instrument panel
- *Premium amplifier.