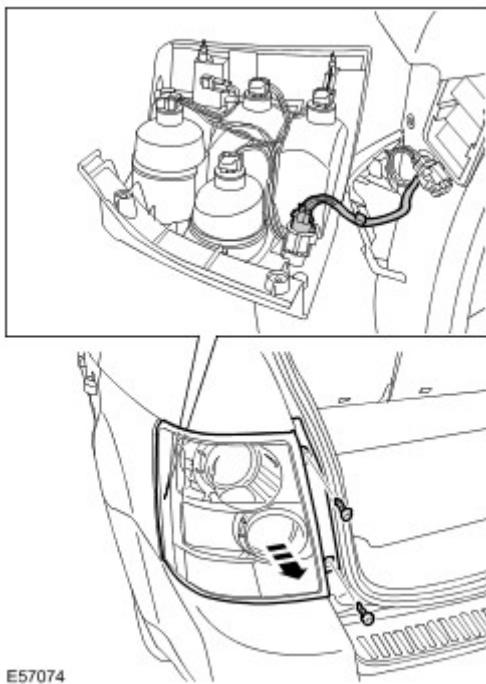


## Rear Lamp Assembly (86.40.70)

### Removal

- 1 . Open the liftgate.
- 2 . Release the rear lamp assembly.
  - Remove the 2 screws.
  - Release the 2 clips.
- 3 . Remove the rear lamp assembly.
  - Disconnect the electrical connector.



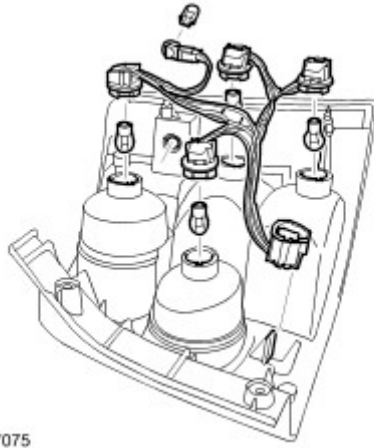
- 4 . **NOTE:**  
Do not disassemble further if the component is removed for access only.

**NOTE:**  
Note the fitted position.

Remove the wiring harness.

- Release the 5 bulb holders.
- Release the electrical connector.

- 5 . Remove the 5 bulbs.



E57075

## Installation

- 1 . Install the bulbs.
- 2 . Install the wiring harness.
  - ▶ Install the bulb holders.
  - ▶ Install the electrical connector.
- 3 . Install the rear lamp assembly.
  - ▶ Connect and secure the electrical connector.
  - ▶ Secure the clips.
  - ▶ Tighten the screws.
- 4 . Close the liftgate.