

# Seats

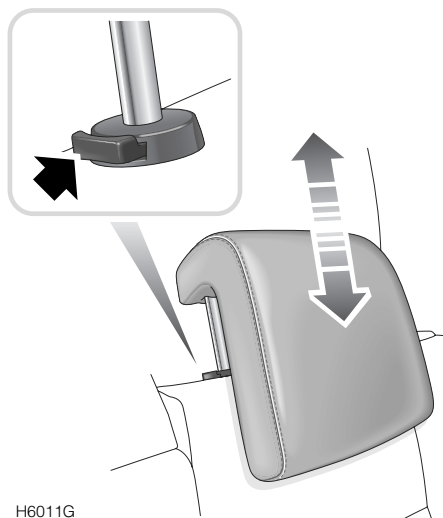
## Head restraint adjustment and removal

### WARNING

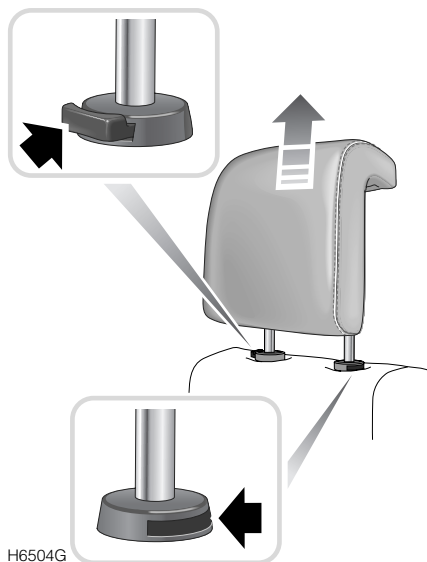
Head restraints are designed to support the back of the head (NOT THE NECK), and to restrain rearward movement of the head in the event of a collision. The restraint must be positioned as described to be effective.

**DO NOT** drive or carry passengers with the head restraints removed from occupied seats, or adjust the head restraints while the vehicle is in motion.

**Failure to have the head restraint installed and properly positioned will increase the potential for serious injuries.**



Adjust the head restraint correctly (up or down) for each passenger by pressing the collar button as indicated. The top of the head restraint should be above the center line of the head.



Remove the head restraint by pressing the collar button and indented button as indicated, whilst lifting the restraint clear of the seat.

To replace the head restraint, engage the guide posts into the collars and press the restraint downwards until a click is heard.