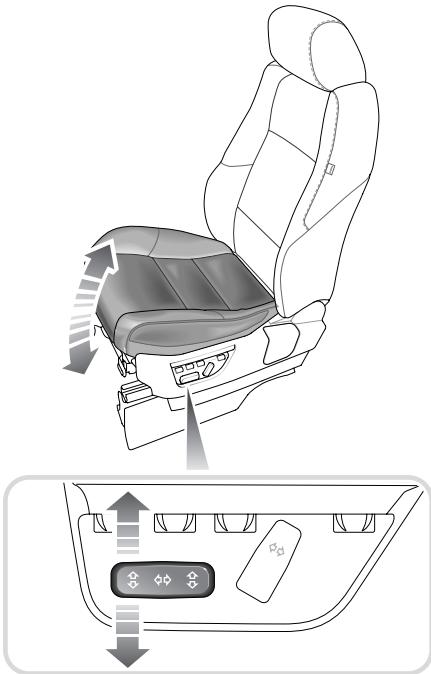


# Seats

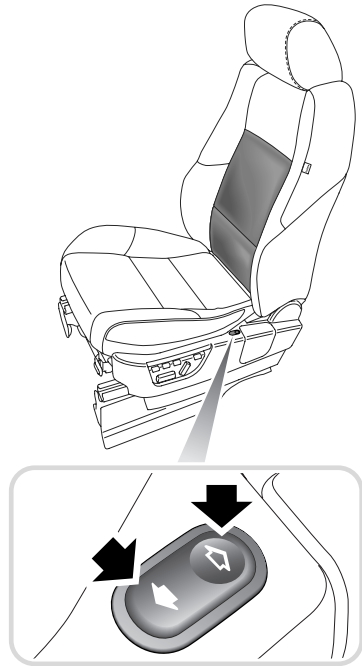
## Seat cushion edge adjustment (Driver's seat only)



H6603N

Push the switch up or down to raise or lower the front edge of the cushion. Release the switch to stop adjustment.

## Lumbar support adjustment



H6405N

A separate switch located in the side of the seat provides for adjustment of lumbar support. Press the front end of the switch to stiffen the support or the rear end of the switch to relax the support. Release the switch to stop adjustment.