

PUBLISHED: 22-MAY-2013
2017.0 RANGE ROVER SPORT (LW), 501-19

BUMPERS

REAR BUMPER (G1605222)

REMOVAL AND INSTALLATION

REMOVAL

NOTE:

Removal steps in this procedure may contain installation details.

1.

WARNING:


Make sure to support the vehicle with axle stands.

Raise and support the vehicle.

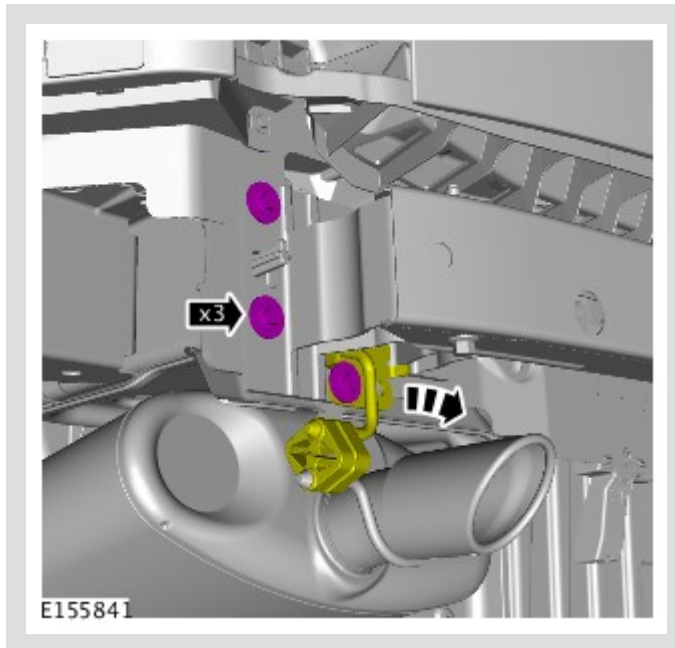
2.

Refer to: Rear Bumper Cover (501-19, Removal and Installation).

3.

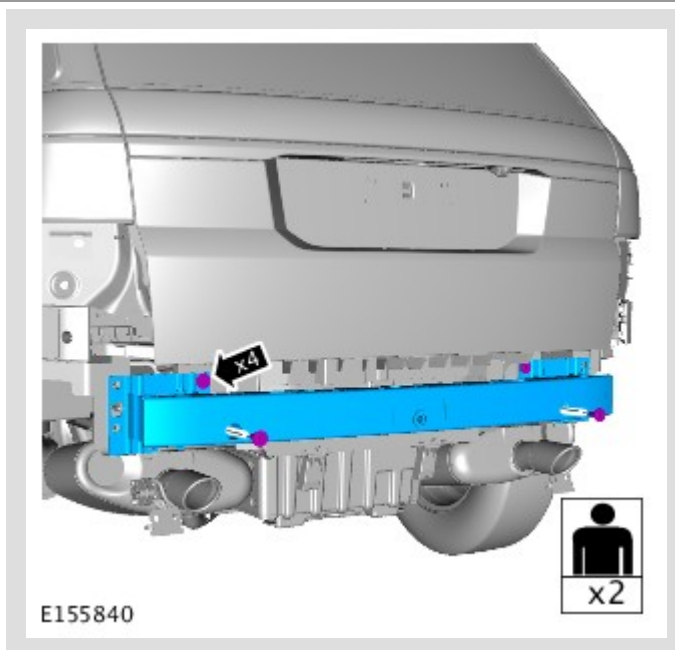
 NOTE:

Repeat the step for the other side.



Torque: 63 Nm

4.



Torque: 63 Nm

INSTALLATION

1. To install, reverse the removal procedure.