

PUBLISHED: 27-JUN-2014
2017.0 RANGE ROVER SPORT (LW), 501-19

BUMPERS

REAR BUMPER COVER (G1605223)

REMOVAL AND INSTALLATION

76.22.74	BUMPER VALANCE - REAR - RENEW	ALL DERIVATIVES	2.2	USED WITHINS
----------	--	--------------------	-----	-----------------

REMOVAL

CAUTION:

Always protect paintwork and glass when removing exterior components.

NOTE:

Removal steps in this procedure may contain installation details.

1.

NOTE:

Repeat the procedure for the other side.

Refer to: Rear Lamp Assembly (417-01 Exterior Lighting, Removal and Installation).

2.



WARNING:

Make sure to support the vehicle with axle stands.

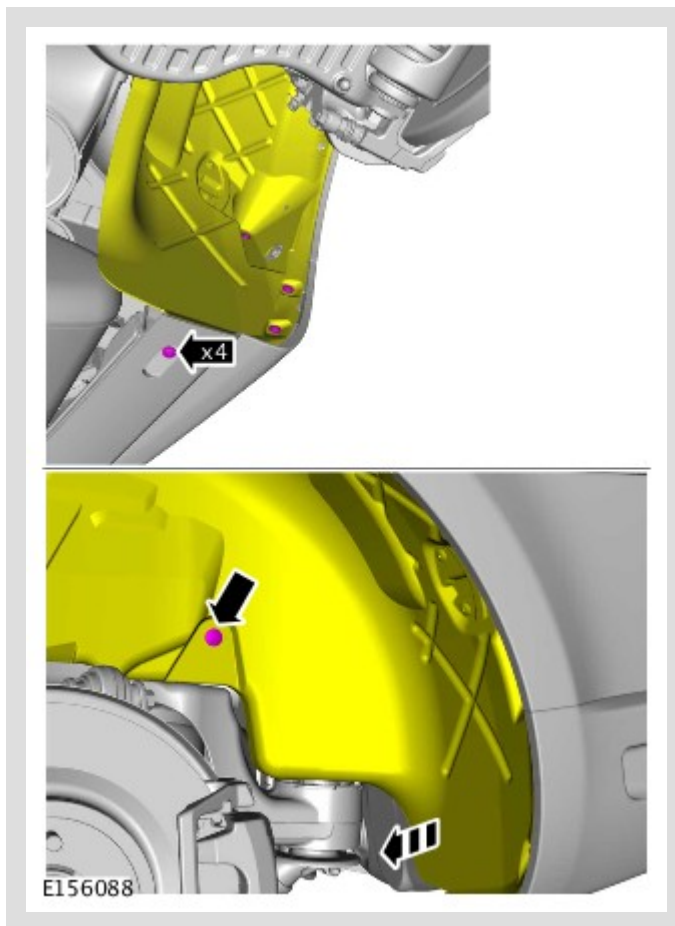
Raise and support the vehicle.

3.

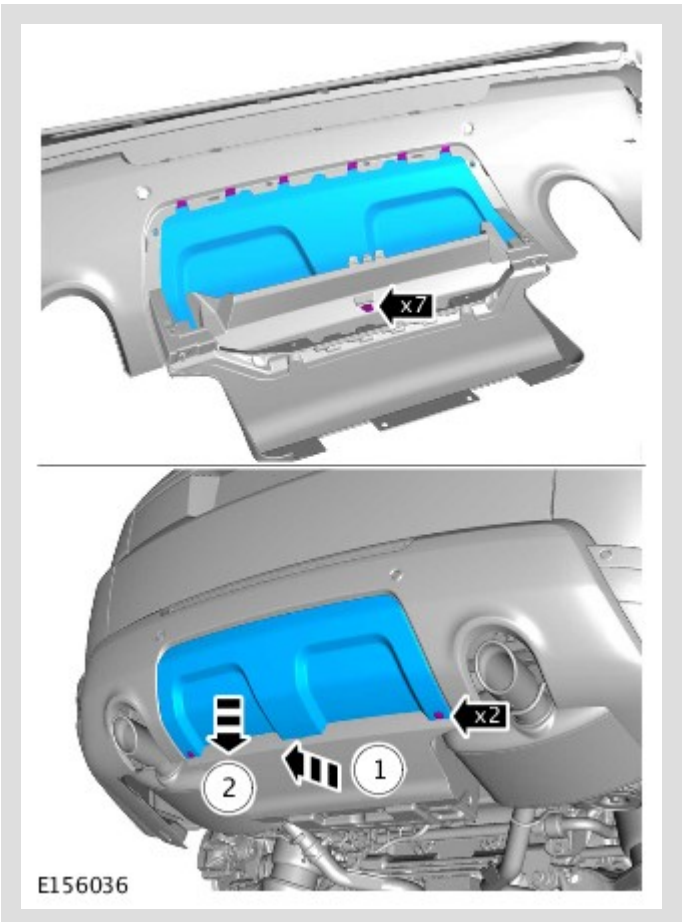


NOTE:

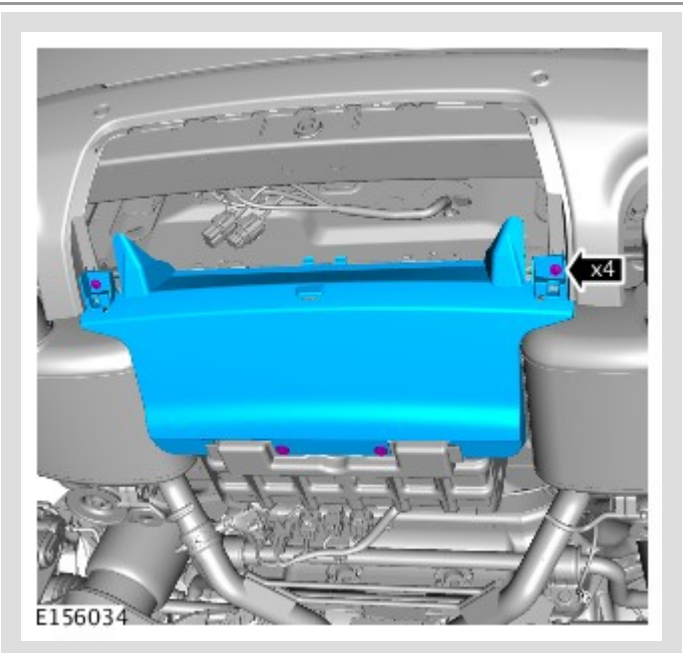
Repeat the step for the other side.



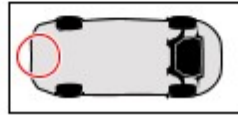
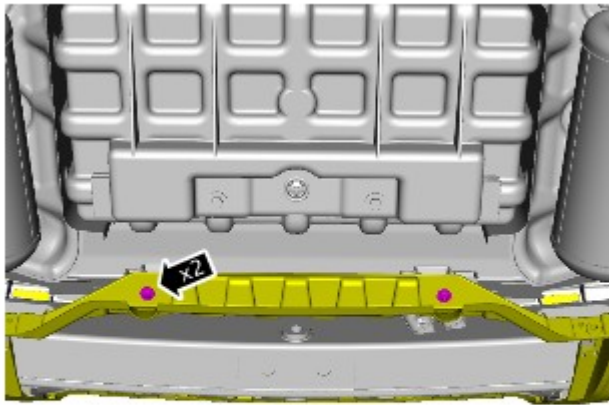
4.



5.

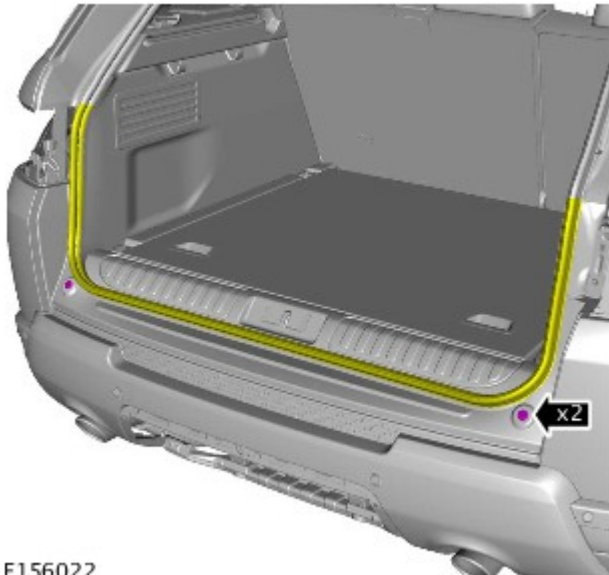


6.



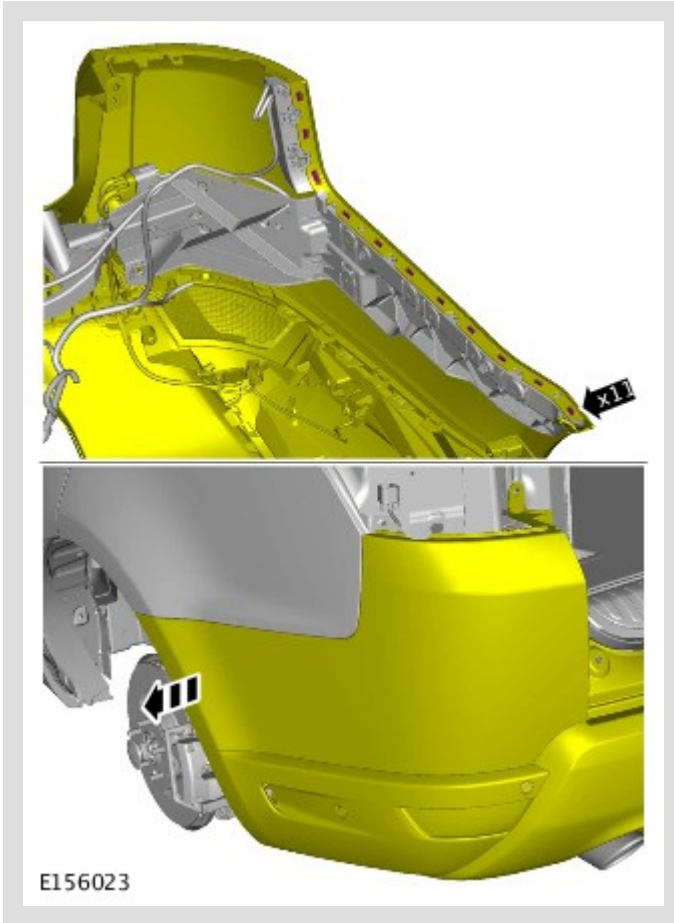
E156025

7.

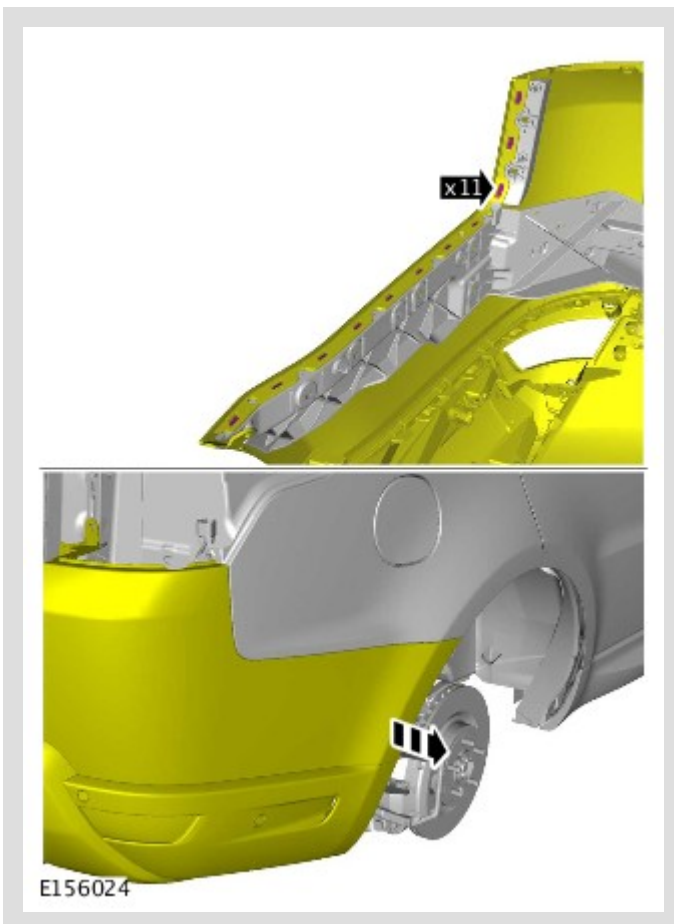


E156022

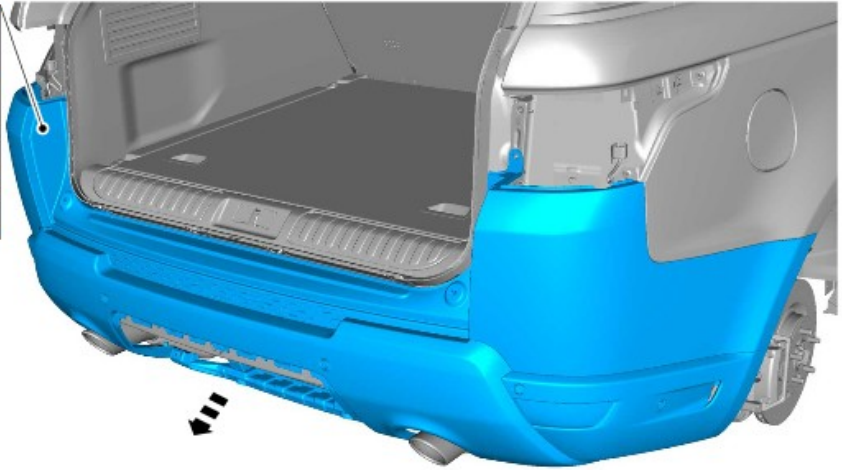
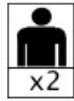
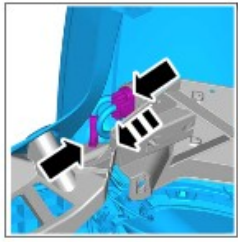
8.



9.




10.

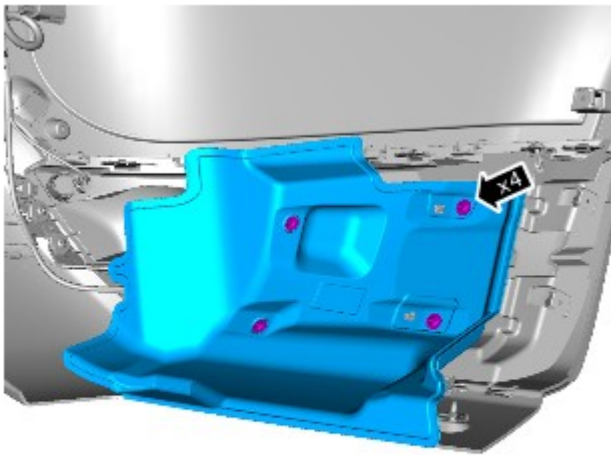


E156026

11.

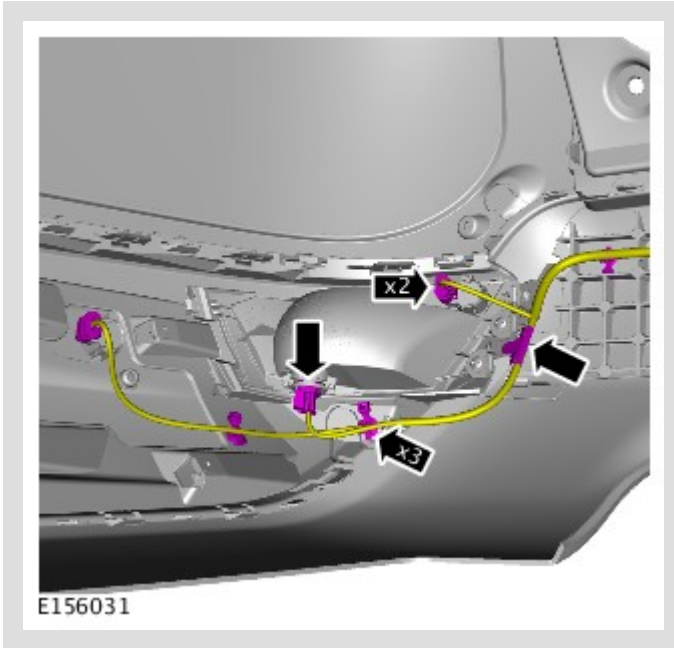
 NOTE:

Do not disassemble further if the component is removed for access only.

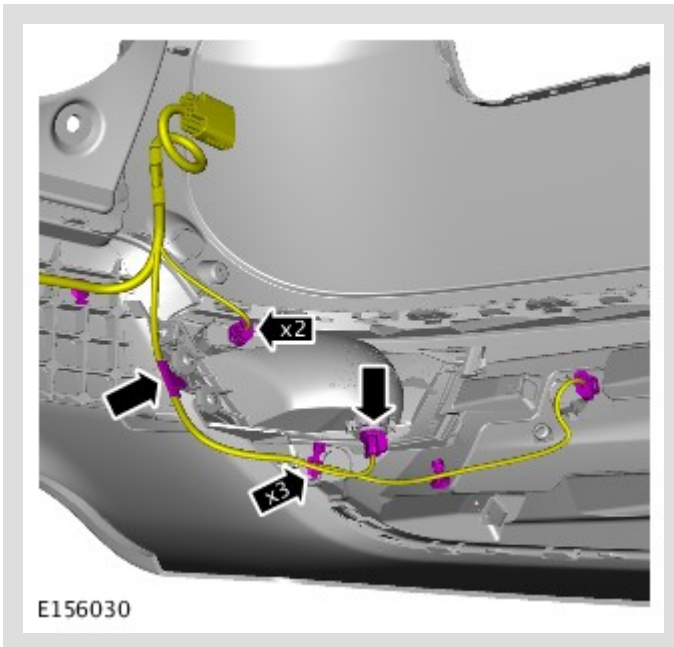


E156032

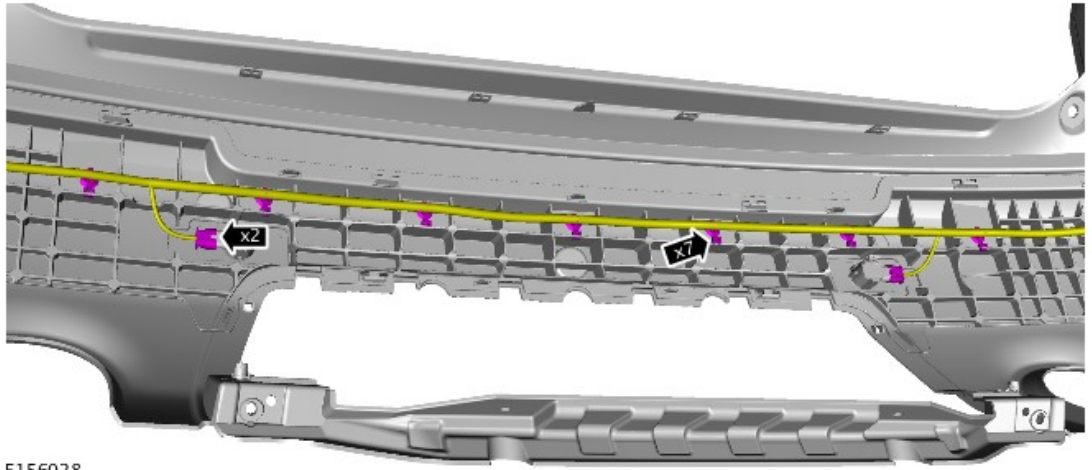
12.



13.

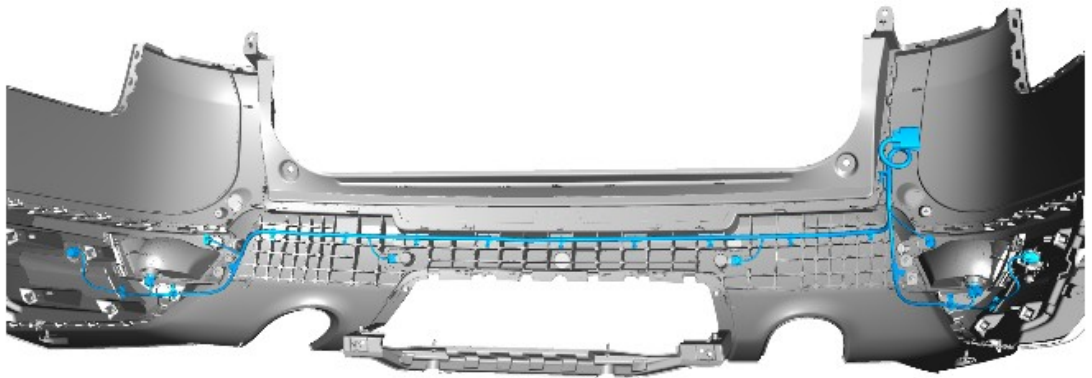


14.




E156028

15.

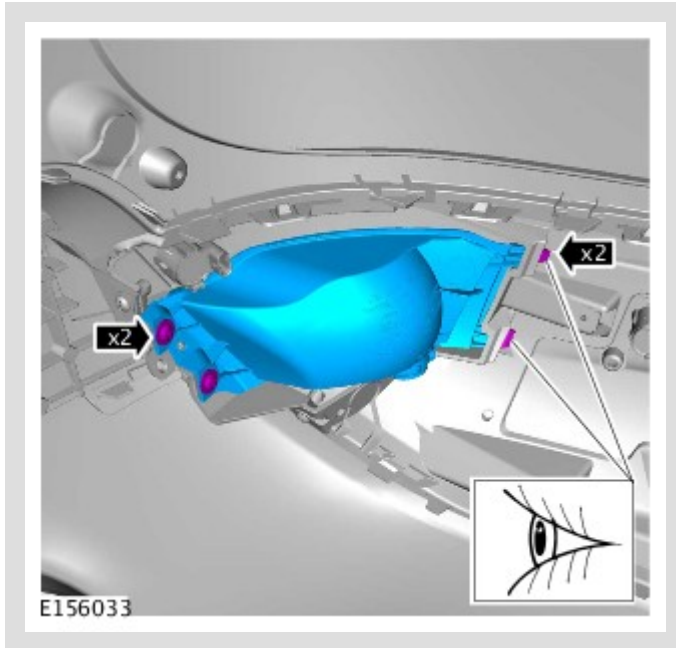


E156029

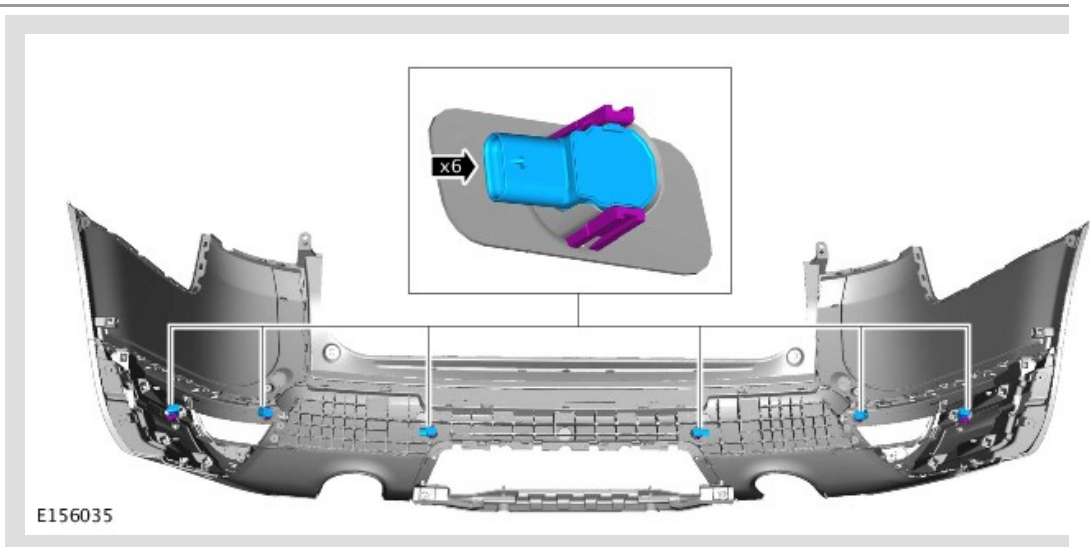
16.

 NOTE:

Repeat the step for the other side.



17.



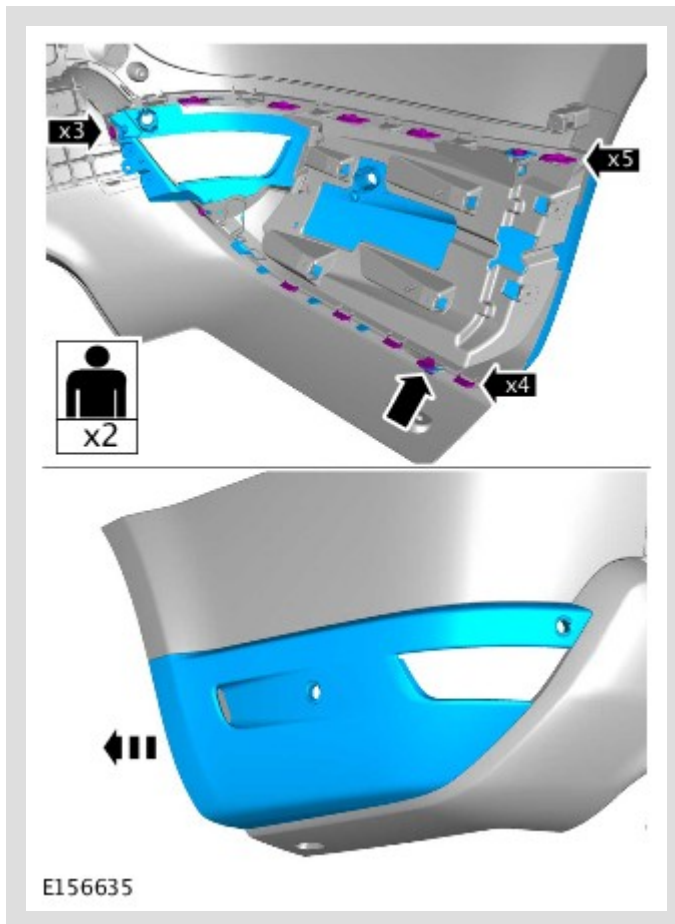
18.

⚠ CAUTION:

Take extra care when handling the component.

△ NOTE:

Repeat the step for the other side.



INSTALLATION

1. To install, reverse the removal procedure.

