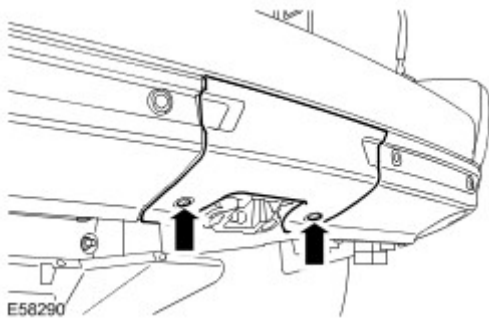


## Rear Bumper Cover (76.22.74)

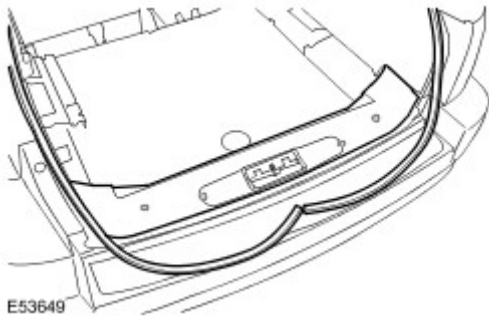
### Removal

#### All vehicles

- 1 . Disconnect the battery ground cable.  
For additional information, refer to [Specifications](#)
- 2 . Remove both rear lamp assemblies.  
For additional information, refer to [Rear Lamp Assembly \(86.40.70\)](#).
- 3 . Remove the rear bumper towing eye cover.  
▶ Release the 2 clips.



- 4 . Release the liftgate seal.



#### Vehicles with parking aid

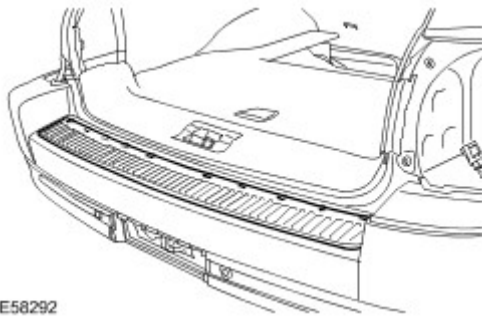
- 5 . Disconnect the parking aid sensor wiring harness electrical connector



## All vehicles

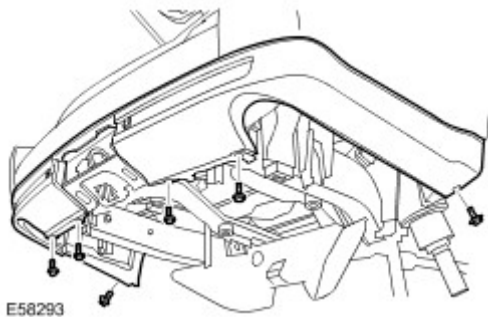
6 . Remove the bumper scuff plate.

▶ Carefully release the 10 clips.



7 . Remove the bumper cover lower fixings.

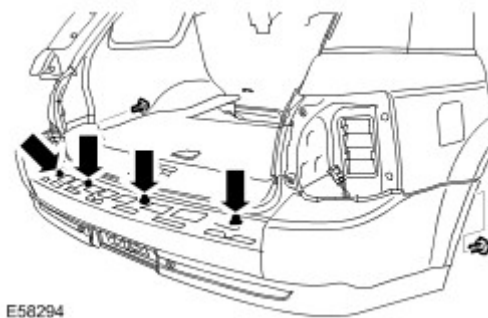
▶ Remove the 6 screws.



8 . Remove the bumper cover upper fixings.

▶ Remove the 4 clips.

▶ Remove the 2 screws.



9 . With assistance, remove the rear bumper cover.

▶ Carefully release the 10 clips.

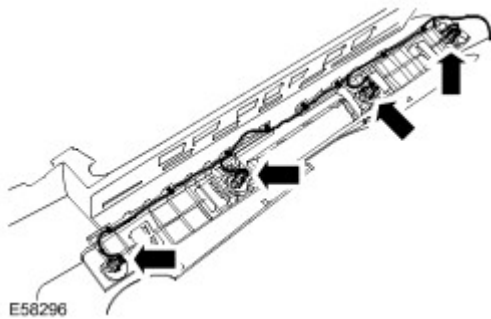


10 . **NOTE:**

Do not disassemble further if the component is removed for access only.

Release the parking aid sensor wiring harness.

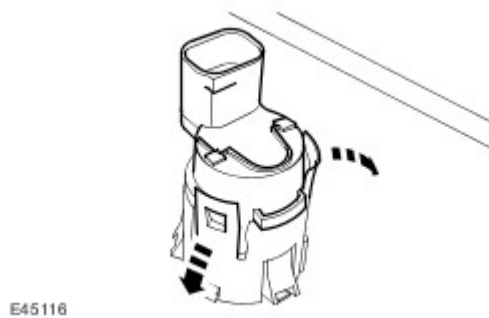
- ▶ Release and disconnect the 4 electrical connectors.
- ▶ Release the 16 clips.



## Vehicles with parking aid

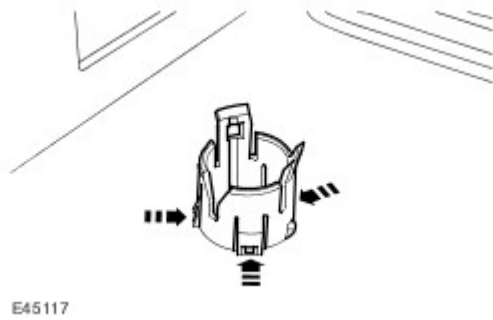
11 . Remove the parking aid sensor.

- ▶ Release the 2 clips.
- ▶ Repeat the above procedure for the remaining 3 sensors.



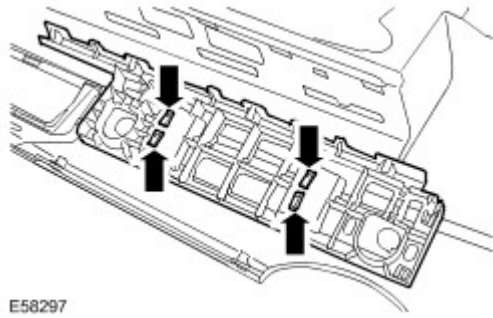
12 . Remove the parking aid sensor trim panel.

- ▶ Release the 3 clips.
- ▶ Repeat the above procedure for the remaining 3 sensor trim panels.

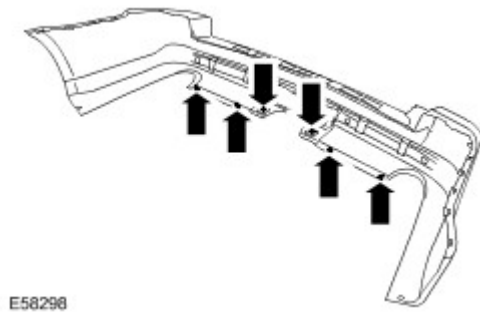


13 . Remove the LH harness support trim panel.

- ▶ Release the 4 clips.
- ▶ Repeat the above procedure for the other side.



14 . Remove the 6 clips.



## Installation

### All vehicles

- 1 . Install the clips.
- 2 . Install the harness support trim panels.
  - ▶ Secure the clips.

### Vehicles with parking aid

- 3 . Install the parking aid sensor trim panels.
- 4 . Install the parking aid sensors.
- 5 . Install the parking aid sensor wiring harness.

- ▶ Connect the electrical connectors.

## All vehicles

- 6 . Install the rear bumper cover.
  - ▶ Secure in the clips.
  - ▶ Install the screws.
- 7 . Install the bumper scuff plate.
  - ▶ Secure the clips.

## Vehicles with parking aid

- 8 . Connect the parking aid sensor wiring harness electrical connector.

## All vehicles

- 9 . Install the liftgate seal.
- 10 . Install the towing eye cover.
  - ▶ Secure the clips.
- 11 . Install both of the rear lamp assemblies.  
For additional information, refer to [Rear Lamp Assembly \(86.40.70\)](#).
- 12 . Connect the battery ground cable.  
For additional information, refer to [Specifications](#)