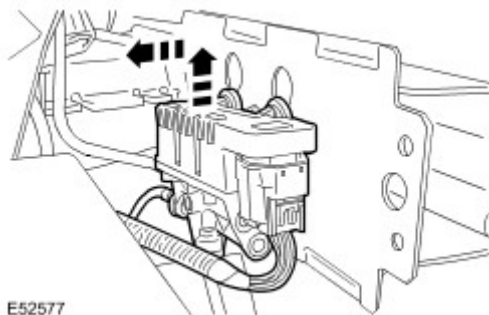


## Front Bumper (76.22.49)

### Removal

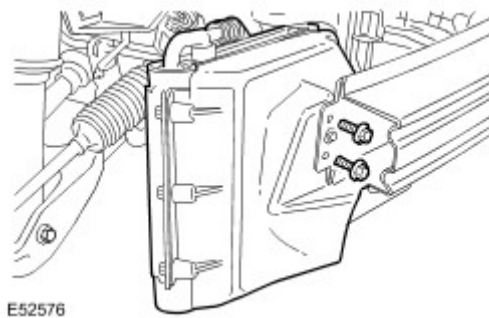
#### All vehicles

- 1 . Disconnect the battery ground cable.  
For additional information, refer to [Specifications](#)
- 2 . Remove the front bumper cover.  
For additional information, refer to [Front Bumper Cover \(76.22.72\)](#)
- 3 . Release the front air suspension valve block from the bumper.

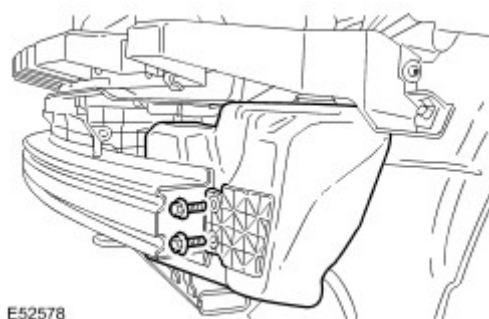


#### Vehicles with supercharger

- 4 . Release the oil cooler.  
▶ Remove the 2 bolts.

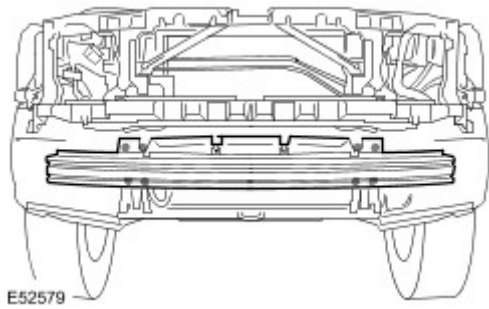


- 5 . Release the washer reservoir.  
▶ Remove the 2 bolts.

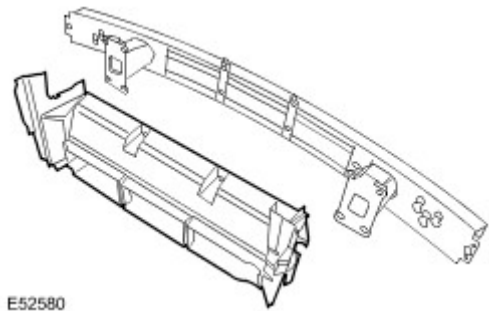


6 . With assistance, remove the front bumper.

▶ Remove the 8 bolts.



7 . Remove the front bumper air ducting.



## Installation

### All vehicles

1 . Install the bumper air ducting.

2 . With assistance, install the front bumper.

▶ Tighten the bolts to 25 Nm (18 lb.ft).

### Vehicles with supercharger

3 . Secure the oil cooler.

▶ Tighten the 2 bolts to 10 Nm (7 lb.ft).

4 . Secure the washer reservoir.

▶ Tighten the 2 bolts to 10 Nm (7 lb.ft).

5 . Secure the front air suspension valve block to the bumper.

6 . Install the front bumper cover.

For additional information, refer to [Front Bumper Cover \(76.22.72\)](#).

7 . Connect the battery ground cable.

For additional information, refer to [Specifications](#)