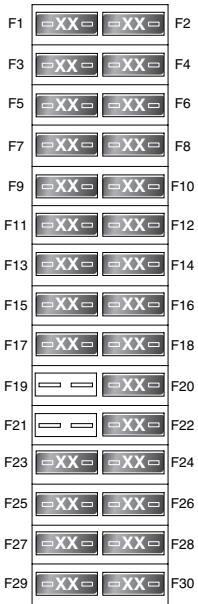


# Fuses

## Engine compartment fuses



LAN0356G

**Note:** Fuse removal tweezers and spare blade fuses are located in the passenger compartment fuse box. See **Passenger compartment fuse box, 266**.

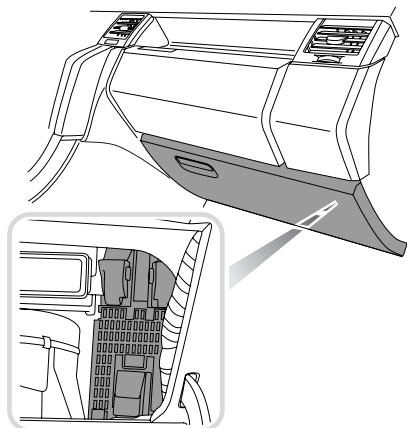
# Fuses

## Engine compartment fuse specification

Fuse number	Rating (amps)	Circuit protected
1	25	Fuel pump
2	-	
3	5	Air suspension ECU
4	25	Petrol - V8 Supercharged - supercharger cooling pump
4	25	Diesel - EMS (ECU and fuel pump relay control)
5	10	Petrol - EMS (purge valve, EGR, inlet manifold tune valve), E-Box fan, Adaptive cruise control
5	10	Diesel - Adaptive cruise control
6	15	Petrol - EMS (coils), Diesel - EMS, glow plug relays
7	25	Hevac - front seat heat
8	25	Rear seat heat
9	15	Dynamic response
10	15	Petrol - EMS (throttle motor, MAF), cool fan
10	15	Diesel - cool fan
11	15	Petrol - EMS (rear oxygen sensors)
12	10	Heated washer jets
13	10	Petrol - EMS (ECU, VVT's and fuel pump relay control)
13	10	Diesel - EMS (PCV, VCV)
14	20	Petrol - EMS (front oxygen sensors)
15	30	Heated front screen
16	10	Heated door mirrors
17	15	Petrol - EMS (injectors)
17	15	Diesel - EMS (MAF, EGR), E-Box fan, Dual MAF sensors, MTV
18	30	Heated front screen
19	-	
20	5	Alternator
21		
22	-	
23	25	Dynamic Stability Control system
24	20	Petrol - brake boost pump
25	10	Lighting switch
26	20	Air suspension ECU
27	5	Engine control module (EMS)
28	20	Diesel - Fuel burning heater
29	30	Front wipers
30	10	Auto transmission ECU

# Fuses

## Passenger compartment fuse box

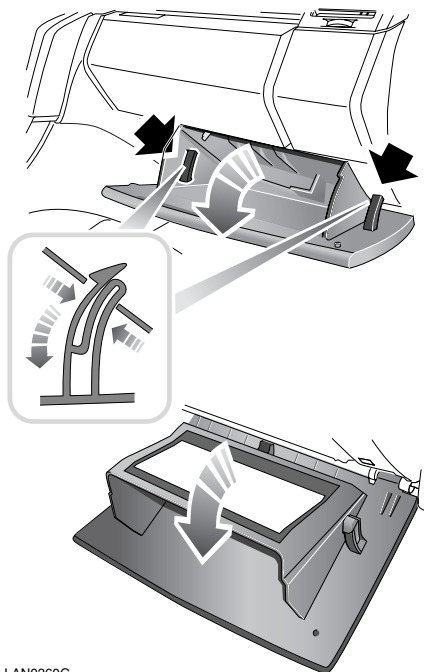


LAN0357G

The passenger compartment fuse box is fitted behind the glovebox. To access the fuses, open the glovebox to the service position.

This is done by opening the glovebox normally and then pinching the top of the support stays located either side of the hopper. This allows the glovebox to be lowered into the footwell.

A label on the rear of the glovebox shows the circuits protected, the fuse values and their locations. They are also listed on the following page.



LAN0360G

# Fuses

## Checking or renewing a fuse

### WARNING

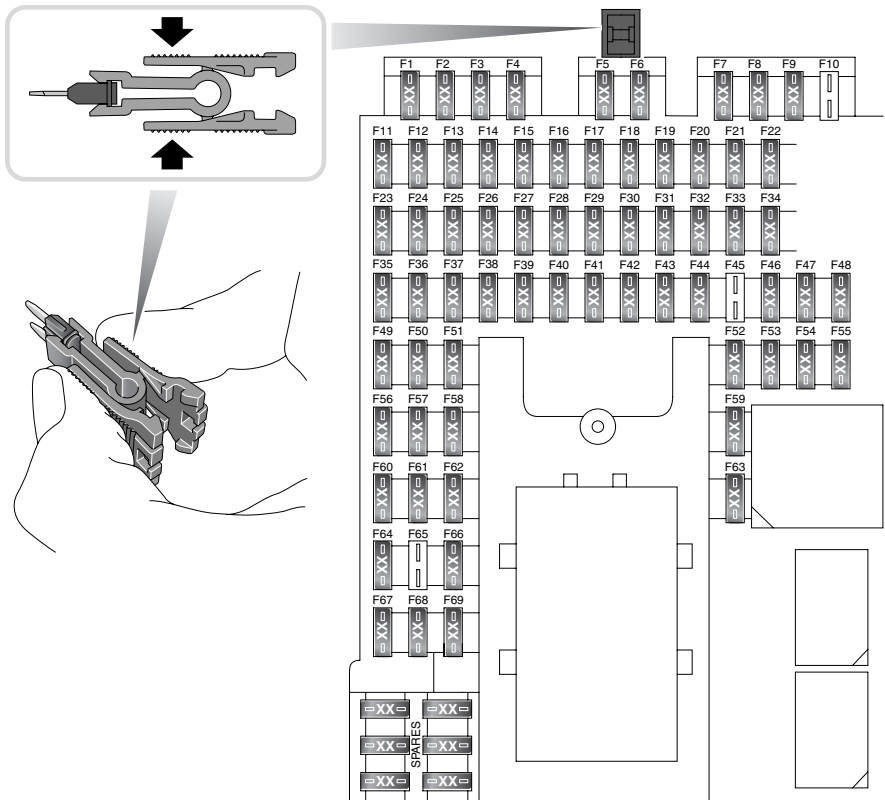
To prevent a possible fire or damage to the electrical system, fit only replacement fuses of the same rating and type. Do not replace a blown fuse with a fuse of a higher amperage rating. Always rectify the cause of the failure before replacing a fuse. Seek qualified assistance if necessary.

Always turn the starter switch to position **O** and switch off the affected electrical circuit before removing a fuse.

## Passenger compartment fuses

The fuse removal tweezers are located in the passenger compartment fusebox. Place the tweezers onto the head of the suspect fuse (as shown), squeeze the middle (arrowed) and pull to remove. A break in the wire inside the fuse indicates that the fuse has blown and must be replaced.

Always replace a fuse with another of the same value, however, if the replacement fuse blows immediately the circuit **MUST** be checked by a qualified Land Rover Dealer/Authorised Repairer.



LAN0358G

# Fuses

## Passenger compartment fuse specification

Fuse number	Rating (amps)	Circuit protected
1	10	Interior lamps - glovebox lamp, vanity mirror lamp, map lamps, switchable roof lamps
2	10	RH side lamps
3	-	
4	10	LH side lamps
5	10	Reverse lamps
6	10	Tow reverse lamp
7	25	Driver's window
8	30	Trailer pick-up (battery feed)
9	5	SRS
10	-	
11	15	Washer pump
12	15	Horn
13	25	Heated Rear Window
14	10	Tow sidelamp
15	15	Brake lamps, Brake switch
16	10	Powerfold mirror
17	20	Rear RH window
18	5	Rain sensor, ambient light sensor (auto lamps)
19	15	Auxiliary power socket - centre console
20	15	Sunroof
21	25	Passenger window
22	10	Trailer pick-up (starter feed)
23	5	Adaptive cruise control
24	5	Transfer box - centre diff, Terrain Response
25	5	Engine control module
26	5	Battery back-up sounder
27	10	Adaptive front lighting / Headlamp levelling
28	5	Fusebox engine compartment - starter
29	30	Passenger electric seat
30	-	
31	20	Rear LH window
32	15	Rear fog lamps
33	5	Mirror adjust, PRNDS - Auto transmission selector, passenger electric seat, driver non memory electric seat
34	15	

# Fuses

Fuse number	Rating (amps)	Circuit protected
35	5	Air suspension ECU/Speed variable steering
36	5	Park Distance Control, Tyre Pressure Monitoring system
37	5	Dynamic Stability Control
38	15	Front fog lamps
39	5	Instrument pack
40	5	Key in sensor
41	5	Electric parkbrake
42	30	Audio amp
43	10	RF receiver, Tyre Pressure Monitoring system
44	5	PRNDS Auto transmission selector
45	-	
46	30	Driver's electric seat
47	15	Auxiliary power socket - loadspace
48	15	Rear wiper
49	30	CDL (central door locking)
50	10	Electric fuel flap actuator
51	10	Heating/ventilation/air conditioning (HeVAC) ECU
52	5	Telephone, traffic message centre
53	15	Head module, media player, infotainment display, DVD player
54	5	Electric seat - memory, lumbar pump
55	15	Lighter
56	10	Adaptive front lighting (Left hand unit)
57	10	Rear seat entertainment module
58	10	Telephone, infotainment display, multi-media module, TV tuner
59	10	Cubby box cooler
60	5	Engine control module (ECM) - starter signal
61	10	Adaptive front lighting (Right hand unit)
62	5	Low beam, auto lamps
63	10	Diagnostic socket
64	5	Auto transmission
65	10	Tailgate power striker
66	5	HDC switch, Brake switch, Steering angle sensor/DSC switch
67	5	Auto lamps
68	5	Instrument pack
69	5	Electrochromatic mirror