

Instrument Panel Passenger Side Reinforcement (76.46.32)

Removal

- 1 . Remove the instrument panel center reinforcement.

For additional information, refer to [Instrument Panel Center Reinforcement \(76.46.34\)](#)

- 2 . Remove the glove compartment.

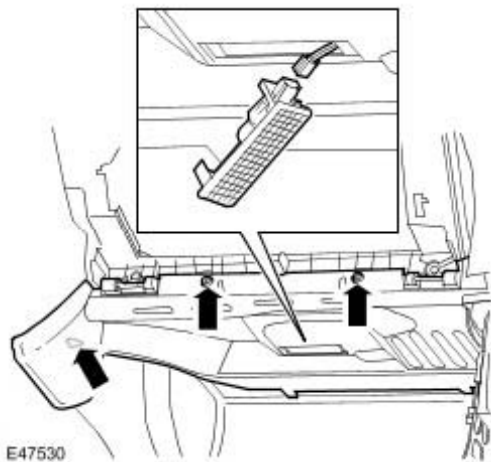
For additional information, refer to [Glove Compartment \(76.52.03\)](#)

- 3 . Remove the passenger side closing trim panel.

*Release the clip

*Remove the 2 screws.

*Disconnect the electrical connector.



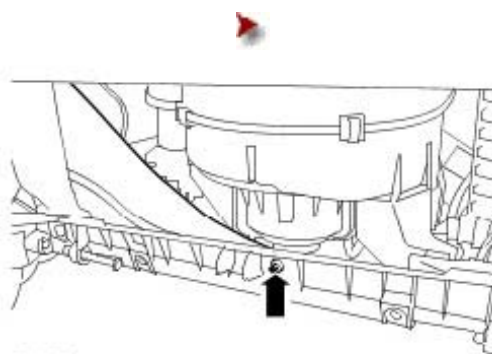
- 4 . Remove the passenger side footwell duct.

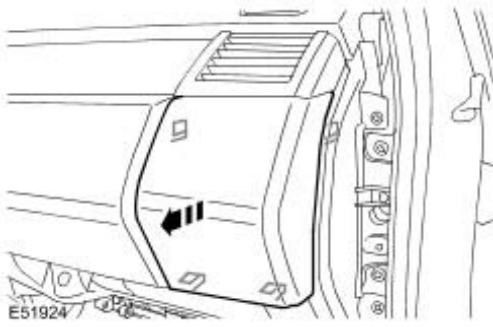
Remove the clip.

- 5 . Remove the stowage compartment side trim panel.

Release the 4 clips.

- 6 . Remove the stowage compartment tray.



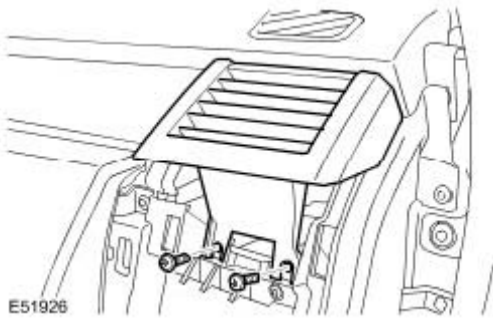


*Open the stowage compartment lid.

*Release the 4 clips.

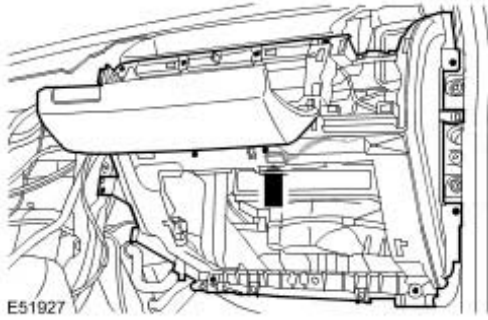


*Remove the 2 Torx screws.



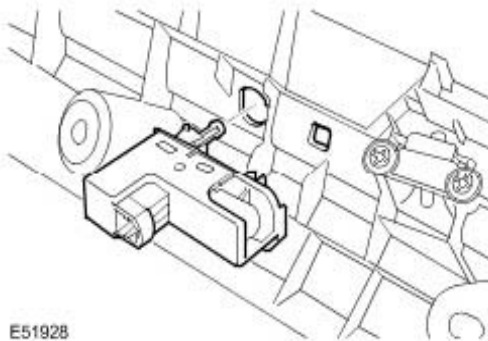
*Remove the 11 Torx screws.

*Disconnect the electrical connector.



9 . **NOTE:**

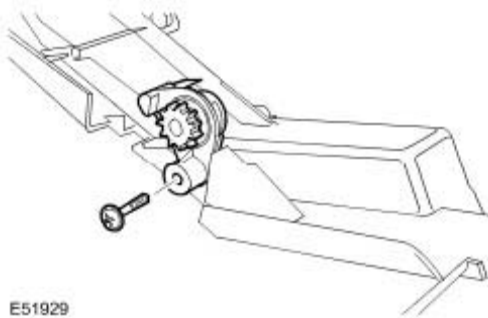
Do not disassemble further if the component is removed for access only.



10 . Remove the glove compartment damper.
Remove the Torx screw.

11 . **NOTE:** Note the position of the hinge pin and spring prior to removal.

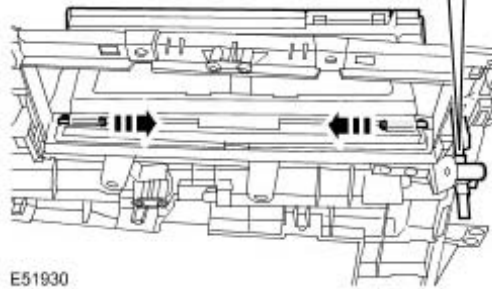
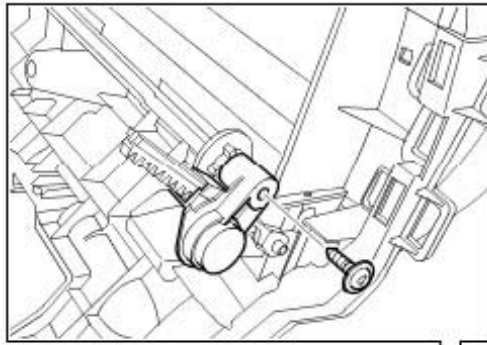
*Remove the stowage compartment lid.



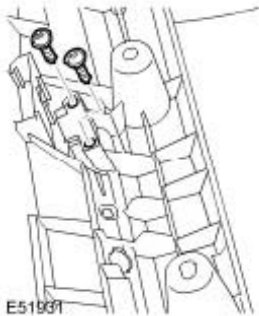
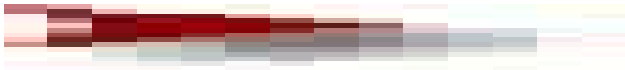
Remove the 2 hinge pins.

Release the 2 hinge springs.

Remove the Torx screw and remove the damper. Remove the 4 Torx screws.



E51930



E51931

