

HEADLAMP ADJUSTMENT (G300939)

GENERAL PROCEDURES

86.40.17	HEADLAMPS - PAIR - ALIGN BEAM	ALL DERIVATIVES	0.10	USED WITHINS
----------	-------------------------------------	--------------------	------	-----------------


 NOTES:

- With self leveling suspension, make sure the vehicle is at the standard ride height.
- The headlamp setting is 1.2 % below horizontal and parallel.
- NAS vehicles have vertical adjustment only.

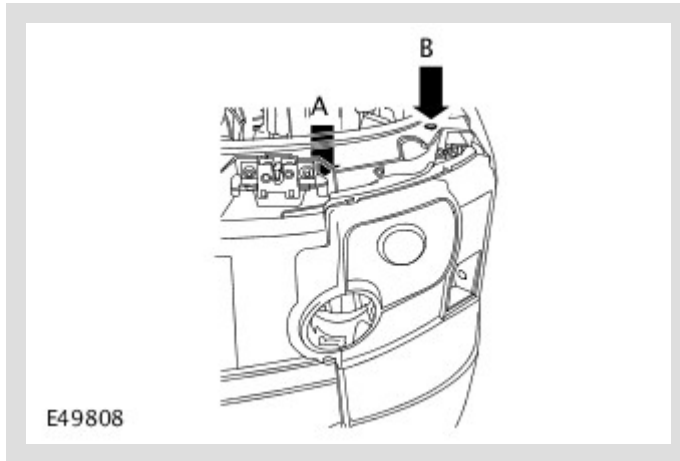
1. Align the headlamp beam setting equipment to one headlamp.

2. Switch the headlamps on and to dipped beam.

3.

 NOTE:

NAS vehicles have vertical adjustment only.



Adjust the headlamps using a suitable tool.

Rotate the adjusters A and B by an equal amount for vertical alignment.

Rotate the adjusters A or B for horizontal alignment.

-
4. To adjust the second headlamp, repeat the above procedure.