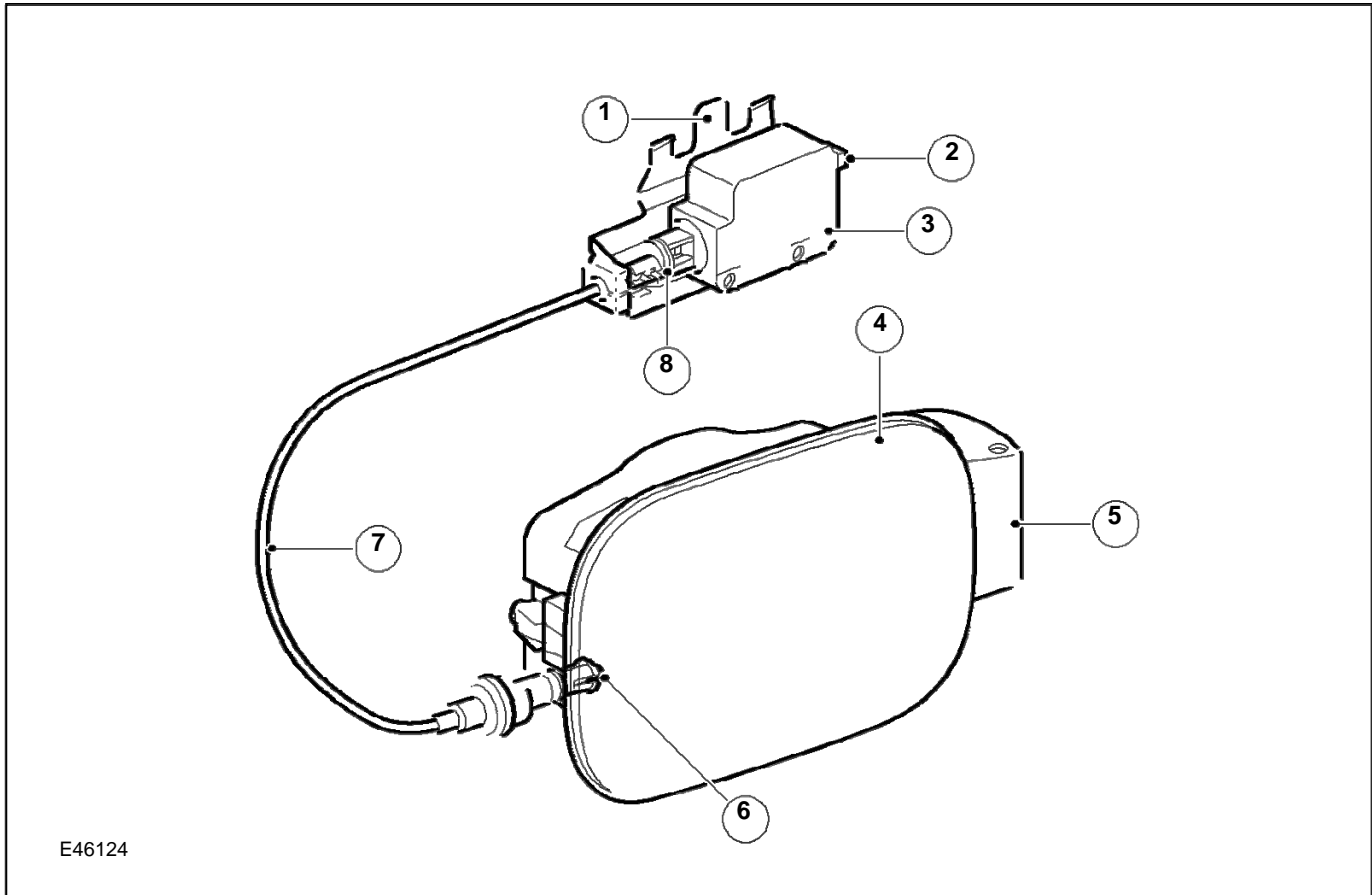

Fuel filler door lock actuator (Where fitted)



E46124

- | | | | |
|---|---------------------------|---|-------------------|
| 1 | Actuator mounting bracket | 5 | Door mounting arm |
| 2 | Electrical connector | 6 | Pin |
| 3 | Actuator | 7 | Cable |
| 4 | Fuel filler door | 8 | Actuating rod |

The fuel filler door lock actuator extends and retracts a wire reinforced plastic pin to lock and unlock the fuel filler door.

In an emergency, the fuel filler door can be unlocked by manually retracting the actuating rod on the actuator. The actuating rod can be reached through the access cover in the rear quarter trim.

If the fuel filler flap is forced open, the latch will release from the filler flap door without causing damage to the door.
