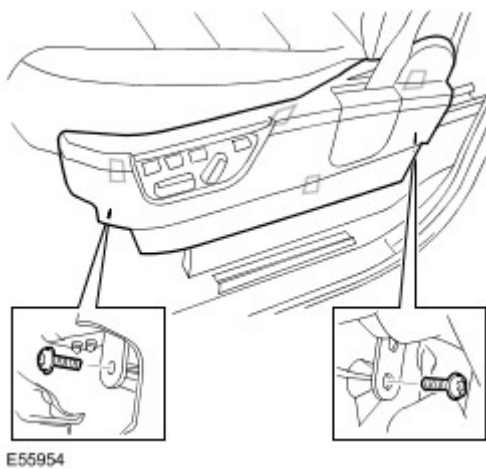


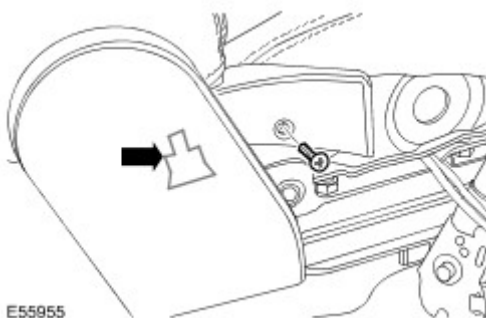
Front Seat Backrest Cover (78.90.08)

Removal

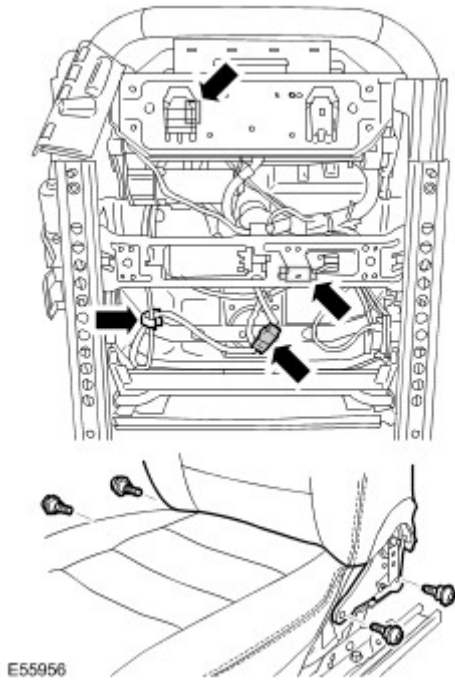
- 1 . Make the SRS system safe.
For additional information, refer to [Standard Workshop Practices](#)
- 2 . Remove the front safety belt buckle.
For additional information, refer to [Front Safety Belt Buckle \(76.73.30\)](#)
- 3 . Remove the front seat cushion side trim.
 - Remove the 2 screws.
 - Release from the 3 clips.



- 4 . Remove the seat backrest hinge cover.
 - Remove the 2 screws.
 - Release from the clip.

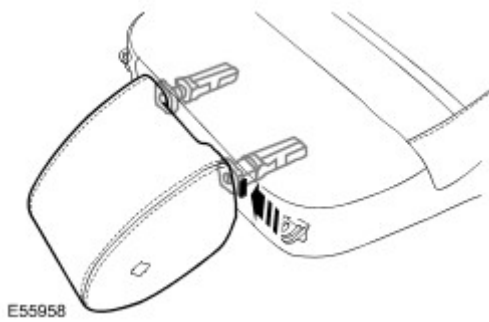


- 5 . Remove the front seat backrest assembly.
 - Release the retaining clips and disconnect the three electrical connectors.
 - Remove the 4 Torx bolts.



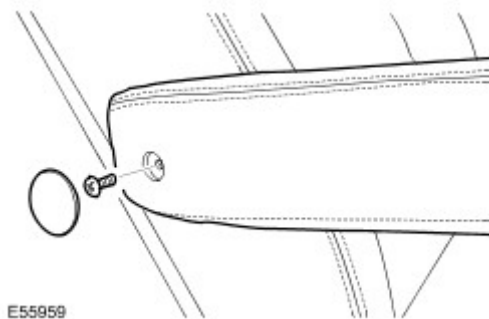
6 . Remove the front seat head restraint.

- ▶ Release the front seat head restraint latch.



7 . Remove the front seat armrest.

- ▶ Remove the bolt cover.
- ▶ Remove the Torx bolt.



8 . Remove the front seat lumbar adjustment knob.

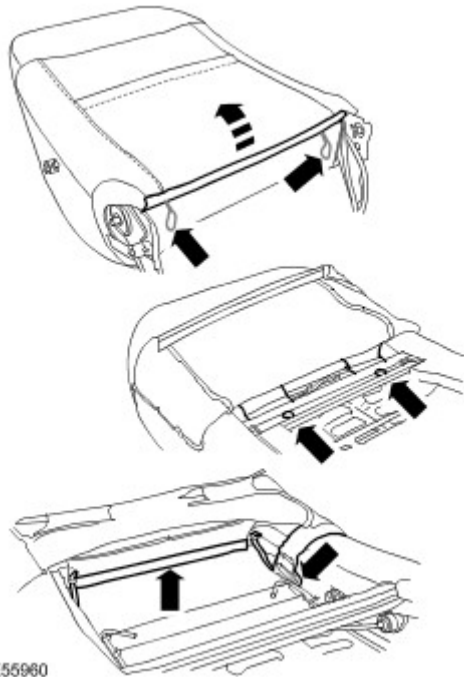
- ▶ Pull sharply to release from lumbar mechanism.



E67102

9 . Release the front seat backrest cover.

- ▶ Release the 5 clips.
- ▶ Release the tension straps.

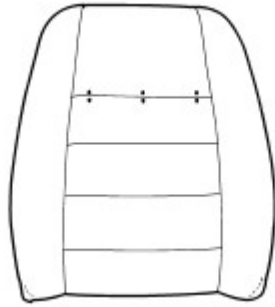


E55960

10 . Remove the front seat backrest cover.

- ▶ Remove the 3 hog rings.

E56021



Installation

- 1 . Install the front seat backrest cover.
 - Install the hog rings.
 - Install the clips.
 - Attach the tension straps.
- 2 . Install the front seat lumbar adjustment knob.
 - Push firmly to secure to the lumbar mechanism.
- 3 . Install the front seat armrest.
 - Tighten the Torx bolt to 10 Nm (7 lb.ft).
 - Install the bolt cover.
- 4 . Install the front seat head restraint.
- 5 . Install the front seat backrest assembly.
 - Tighten the Torx bolts to 25 Nm (18 lb.ft).
 - Connect and secure the electrical connectors.
- 6 . Install the seat backrest hinge cover.
 - Tighten the screws.
 - Fit the clip.
- 7 . Install the front seat cushion side trim.
 - Position and secure in the clips.
 - Install the screws.
- 8 . Install the front safety belt buckle.

For additional information, refer to [Front Safety Belt Buckle \(76.73.30\)](#).