

Published: Feb 2, 2005

Front Door Trim Panel (76.34.01)

Removal

1. Remove the cheater panel.

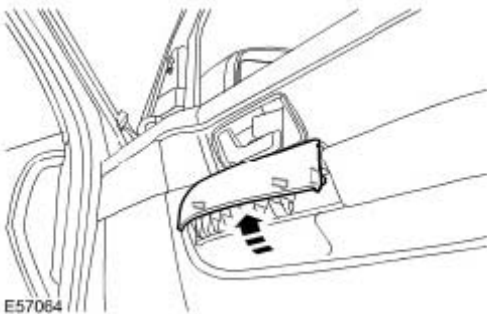
***Carefully release the 3 clips.**

***Disconnect the 2 electrical connectors.**



2. Starting at the lower edge, carefully remove the grab handle cover.

***Release the 3 clips.**

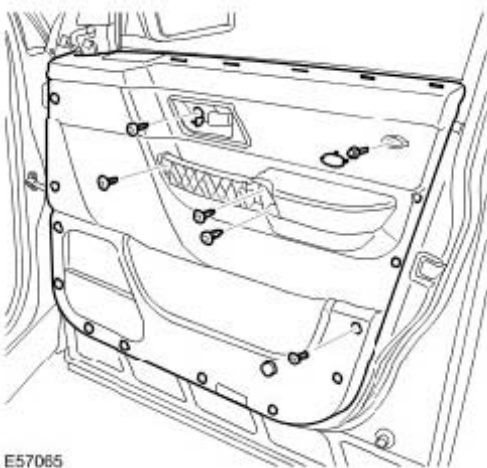


3. Release the front door trim panel.

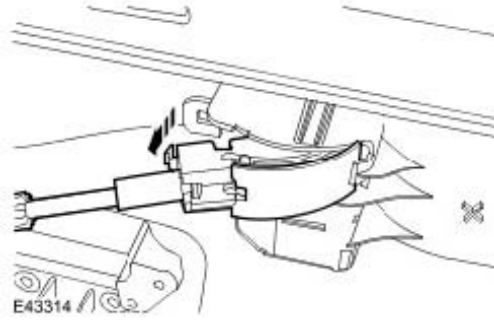
***Release the 2 screw covers.**

*** Remove the 5 screws.**

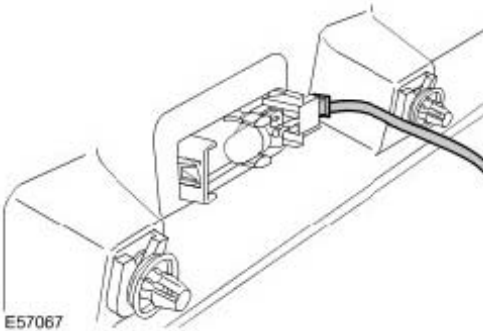
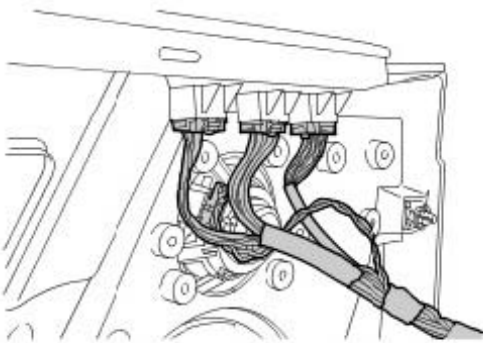
*** Release the 16 clips.**



4. Disconnect the door latch remote release cable.

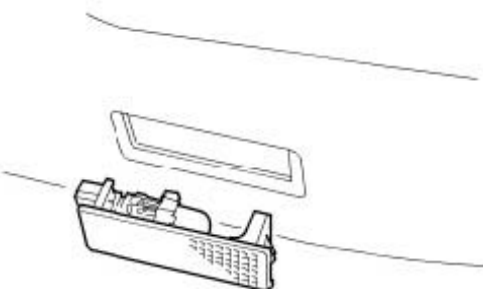


5. Remove the front door trim panel.
***Disconnect the 5 electrical connectors.**



6. NOTE:
Do not disassemble further if the component is removed for access only.

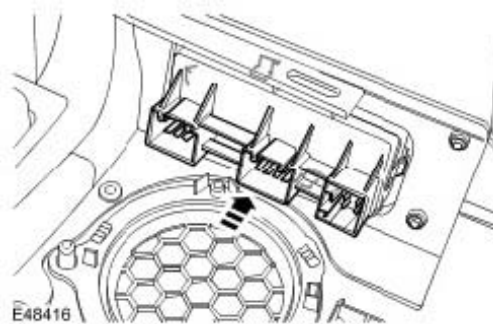
Remove the puddle lamp.
***Carefully release the lamp.**



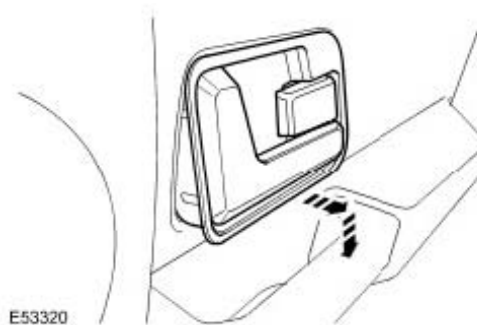
- 7. Remove the speaker.**
***Remove the 3 Torx screws.**



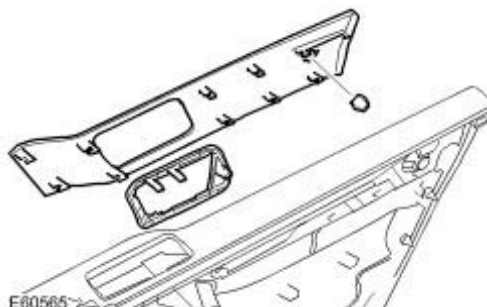
- 8. Remove the window control switch.**
***Carefully release the 4 clips.**



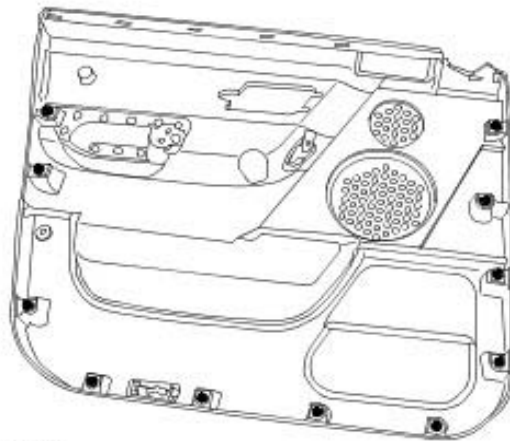
- 9. Remove the front door latch remote control handle.**
***Starting at the lower edge, carefully release the remote handle.**



- 10. Remove the trim panel finisher.**
11. Remove the door panel finisher retainer.
12. Remove the door latch remote control handle retainer.



13. Remove the 11 clips.



E57072

Installation

- 1. Install the clips.**
- 2. Install the door latch remote control handle retainer.**
- 3. Install the door panel finisher retainer.**
- 4. Install the trim panel finisher.**
- 5. Install the front door latch remote control handle.**
- 6. Install the window control switch.**
- 7. Install the speaker**
 - *Tighten the Torx screws.**
- 8. Install the puddle lamp.**
- 9. Install the front door trim panel.**
 - *Connect the door latch remote control cable.**
 - *Connect the electrical connectors.**
 - *Secure with the clips.**
 - *Tighten the screws.**
 - *Install the screw covers.**
- 10. Install the grab handle cover.**
- 11. Install the cheater panel.**
 - *Connect the electrical connectors.**
 - *Secure the clips.**