


## Front Bumper Cover (76.22.72)

### Removal

#### All vehicles

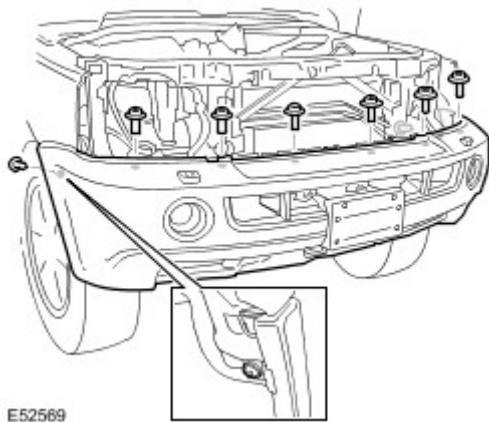
- 1 . Disconnect the battery ground cable.  
For additional information, refer to [Specifications](#)

- 2 .  **WARNING: Do not work on or under a vehicle supported only by a jack. Always support the vehicle on safety stands.**

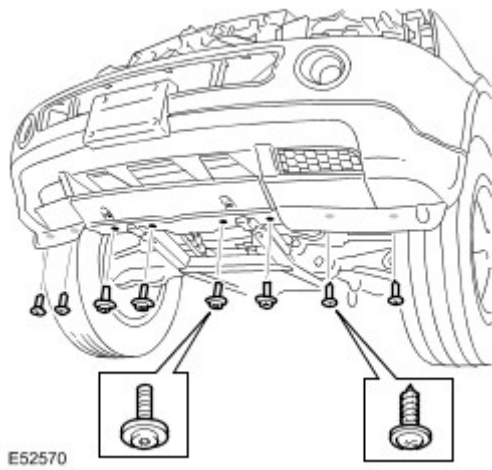
Raise and support the vehicle.

- 3 . Remove the front radiator grille.  
For additional information, refer to [Radiator Grille \(76.55.03\)](#)
- 4 . Remove the headlamps.  
For additional information, refer to [Headlamp Assembly \(86.40.49\)](#)
- 5 . Remove the front bumper cover upper fixings.

▶ Remove the 8 screws.

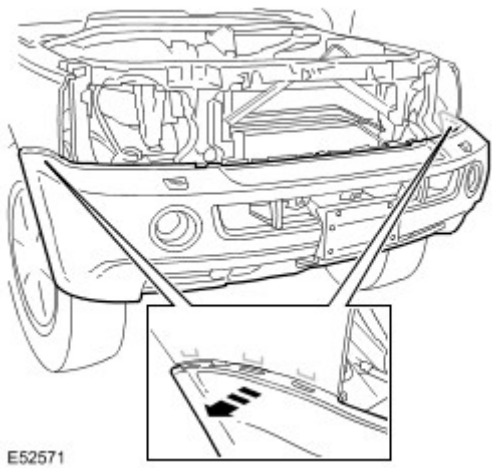


- 6 . Remove the front bumper cover lower fixings.
  - ▶ Remove the 4 Torx bolts.
  - ▶ Remove the 4 screws.



7 . With assistance, release the front bumper cover.

- ▶ Release the 6 clips.
- ▶ Disconnect the 2 electrical connectors.

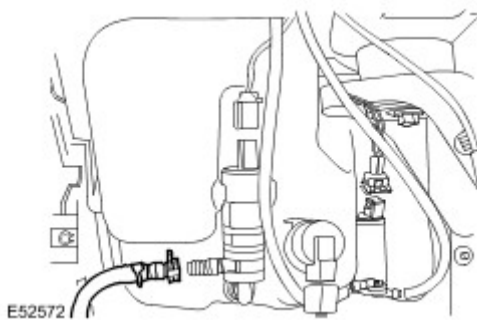


8 . **NOTE:**

Some fluid spillage is inevitable during this operation.

Release the head lamp washer jet hose from the washer pump. Remove the bumper cover.

- ▶ Allow the fluid to drain into a container.

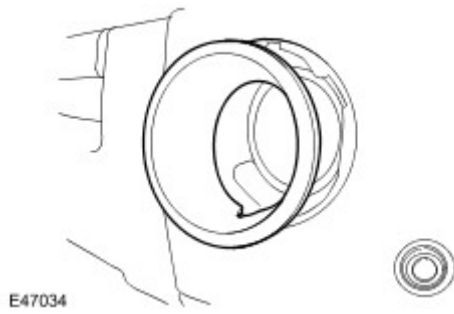


9 . **NOTE:**

Do not disassemble further if the component is removed for access only.

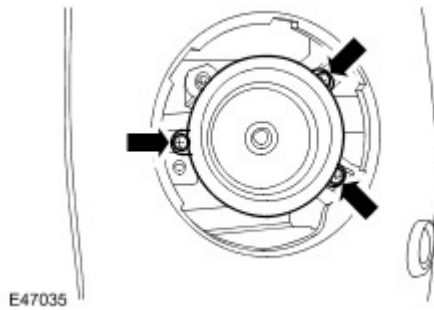
Remove the front fog lamp bezel.

- ▶ Release the 6 clips.
- ▶ Repeat the above procedure for the other side.



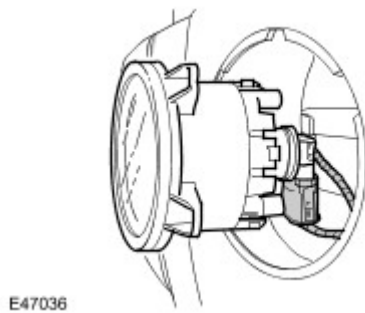
10 . Release the front fog lamp.

- ▶ Remove the 3 screws.
- ▶ Repeat the above procedure for the other side.



11 . Remove the front fog lamp.

- ▶ Disconnect the front fog lamp electrical connector.
- ▶ Repeat the above procedure for the other side.



12 . Remove the washer jets.

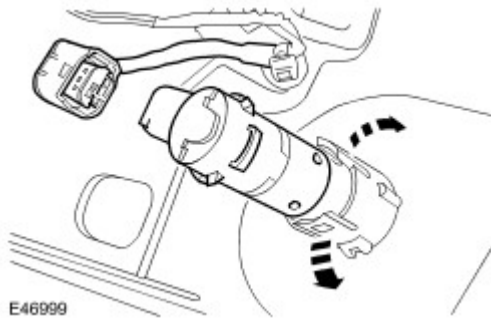
- ▶ Release the RH washer jet clip.
- ▶ Release the LH washer jet clip.



## Vehicles with parking aid

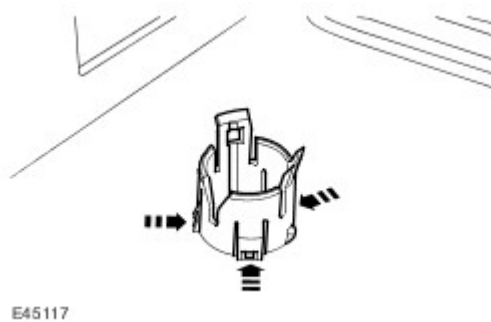
13 . Remove the parking aid sensors.

- ▶ Disconnect the electrical connector.
- ▶ Release the 2 clips.
- ▶ Repeat the above procedure for the remaining 3 sensors.



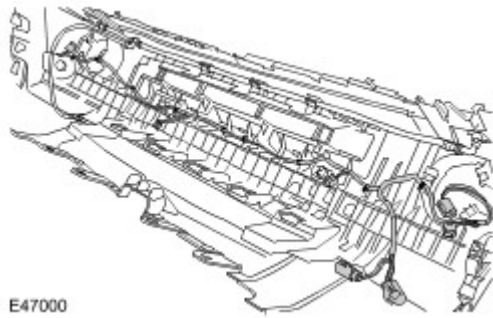
14 . Remove the parking aid sensor trim panel.

- ▶ Release the 3 clips.
- ▶ Repeat the above procedure for the remaining 3 sensor trim panels.



15 . Remove the parking aid sensor wiring harness.

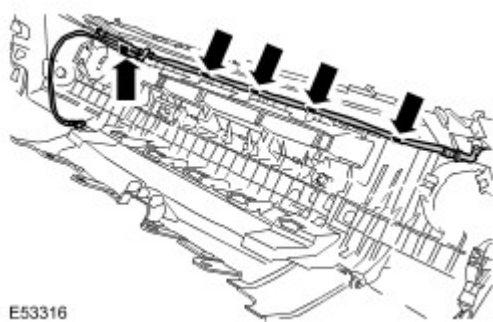
- ▶ Remove the 9 securing straps.



## All vehicles

16 . Remove the headlamp washer jet hose.

- ▶ Release from the 5 clips.



## Installation

### All vehicles

1 . Install the headlamp washer jet hose.

- ▶ Secure in the 5 clips.

### Vehicles with parking aid

2 . Install the parking aid sensor wiring harness.

- ▶ Install the securing straps.

3 . Install the parking aid sensor trim panels.

4 . Install the parking aid sensors.

- ▶ Connect the parking aid electrical connectors.

### All vehicles

5 . Install the washer jets.

- ▶ Install the clips.

6 . Connect the front fog lamp electrical connector.

- ▶ Repeat the above procedure for the other side.

7 . Install the front fog lamp.

▶ Tighten the screws.

8 . Install the front fog lamp bezel.

▶ Secure the clips.

▶ Repeat the above procedure for the other side.

9 . Connect the hose.

10 . With assistance, install the front bumper cover.

▶ Connect the headlamp washer jet hoses.

▶ Connect and secure the electrical connectors.

▶ Secure in the clips.

11 . Install the front bumper cover fixings.

▶ Install the bolts and tighten to 10 Nm (7 lb.ft).

▶ Install the screws.

12 . Install the headlamps.

For additional information, refer to [Headlamp Assembly \(86.40.49\)](#).

13 . Install the front radiator grille.

For additional information, refer to [Radiator Grille \(76.55.03\)](#).

14 . Connect the battery ground cable.

For additional information, refer to [Specifications](#)

15 . **NOTE:**

The fog lamp beam should be set at 1.2% below the horizontal and parallel.

Check the fog lamp beam alignment.