

Exterior Mirror (76.11.10)

Removal

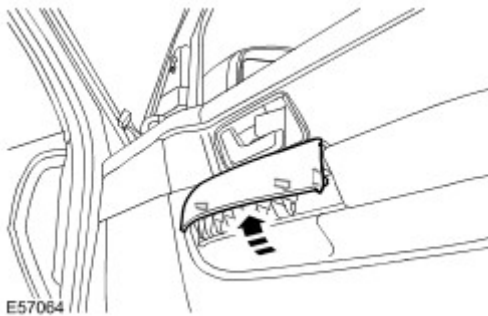
1 . Remove the cheater panel.

- ▶ Carefully release the 3 clips.
- ▶ Disconnect the 2 electrical connectors.



2 . Starting at the lower edge, carefully remove the grab handle cover.

- ▶ Release the 2 clips.



3 . Release the forward upper corner of the front door trim panel.

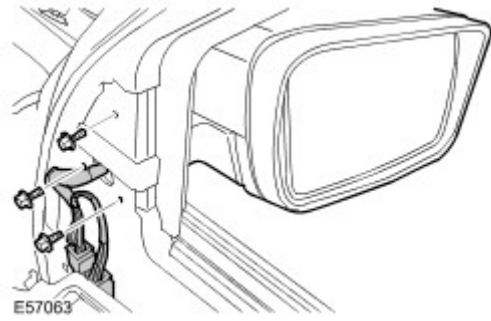
- ▶ Release the screw cover.
- ▶ Remove the 2 screws.
- ▶ Release the 5 clips.



4 . Remove the exterior rear view mirror.

- ▶ Disconnect the electrical connectors.

▶ Remove the 3 bolts.



Installation

- 1 . Install the exterior rear view mirror.
 - ▶ Tighten the bolts to 6 Nm (4 lb.ft).
 - ▶ Connect the electrical connectors.

- 2 . Secure the front door trim panel.
 - ▶ Secure the clips.
 - ▶ Install the screws.
 - ▶ Install the screw cover.
 - ▶ Install the grab handle cover.

- 3 . Install the grab handle cover.

- 4 . Install the cheater panel.
 - ▶ Connect the electrical connectors.
 - ▶ Secure the clips.