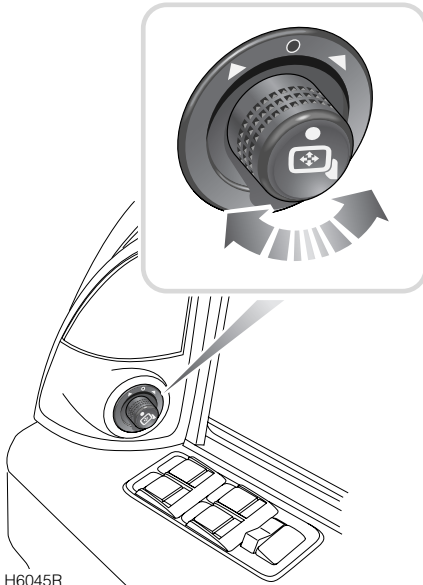


Door Mirrors

EXTERIOR MIRRORS

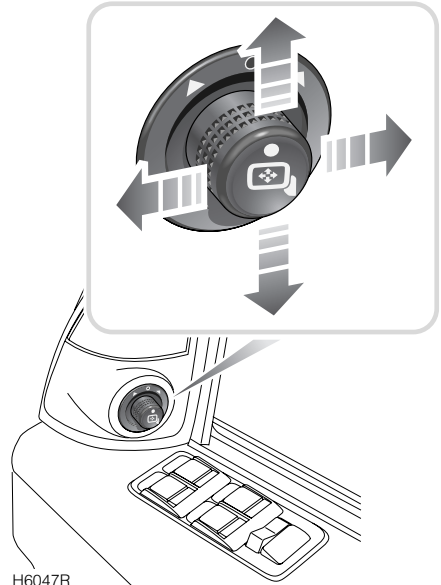
Caution: Objects viewed in exterior mirrors may appear further away than they actually are.

Mirror adjustment



H6045R

Rotate the knob to select either the left or right-hand mirror.



H6047R

With the starter switch turned to position **I** or **II**, push the knob in the appropriate direction to tilt the mirror glass up/down/left or right.

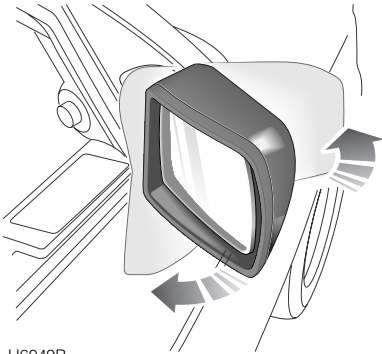
The door mirrors have integral heating elements which disperse ice or mist from the glass. These will operate automatically with the starter switch in position **II** and are controlled according to the external temperature and wiper status.

Note: On vehicles fitted with the driver's seat memory facility, up to three exterior mirror positions for each of three possible starter keys can be stored, see **DRIVER'S SEAT MEMORY FACILITY, 50**.

Door Mirrors

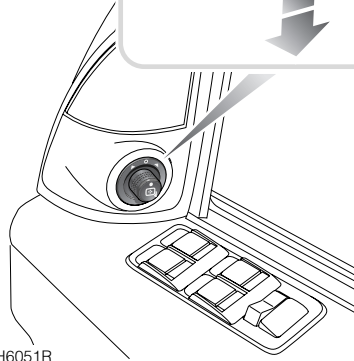
Folding the mirror body

The door mirrors are designed to fold forwards or rearwards on impact. They can also be folded in towards the side windows into a park position.



H6049R

Manual operation: On some vehicles this operation can be carried out manually, by physically pushing the mirror bodies towards the side windows.



H6051R

Electric operation: With the rotary knob in the central position, push the knob downwards to fold the mirrors. Push the knob downwards again to unfold the mirrors.

If the mirrors are accidentally knocked out of position (i.e. with one mirror folded and the other in the normal position), an additional operation of the switch will re-synchronise them.