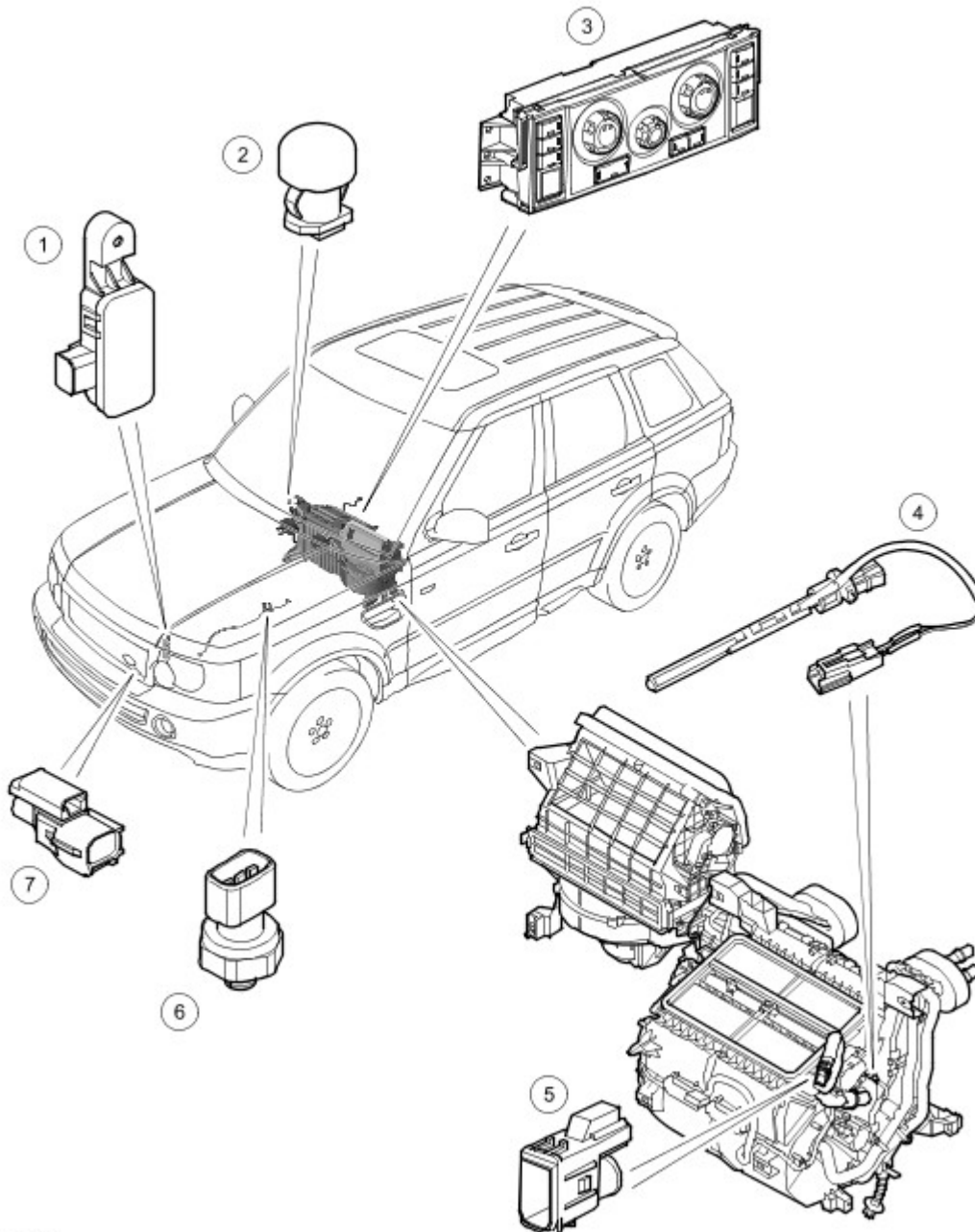


Control Components

COMPONENT LOCATIONS

NOTE:

RHD (right-hand drive) installation shown; LHD (left-hand drive) installation similar



E54970

Item	Part Number	Description
1	-	Pollution sensor (Japan only)
2	-	Sunlight sensor
3	-	ATC (automatic temperature control) module
4	-	Evaporator temperature sensor
5	-	In-vehicle temperature sensor (all except Japan), or in-vehicle temperature and humidity sensor (Japan only)