

Generator (86.10.02)

Removal

1



WARNING: Do not work on or under a vehicle supported only by a jack. Always support the vehicle on safety stands.

Raise and support the vehicle.

2 . Disconnect the battery ground cable.

For additional information, refer to [Specifications](#)

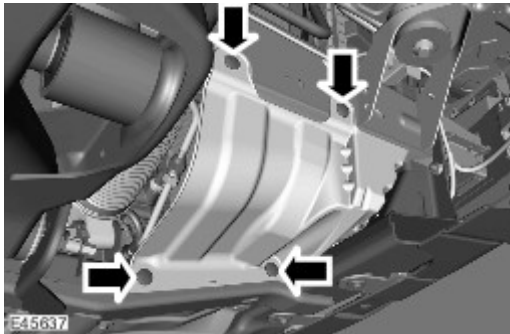
3 . Remove the accessory drive belt.

For additional information, refer to [Accessory Drive Belt \(86.10.03\)](#).

4 . Remove the front wheel.

5 . Remove the front RH splash shield.

▶ Remove the 4 clips.



6 . Remove the battery positive cable.

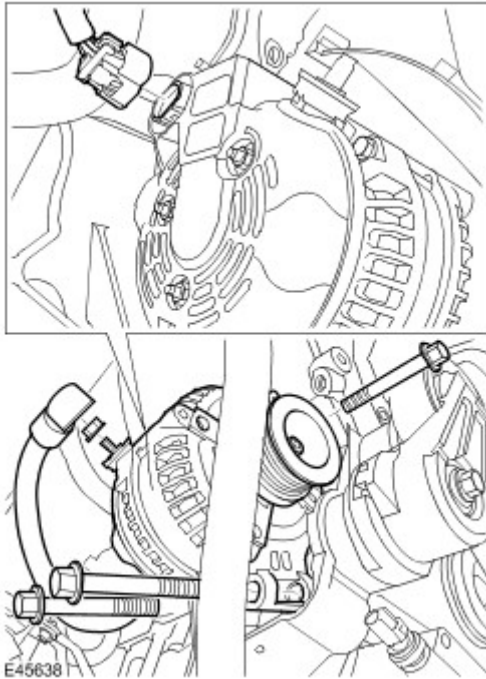
▶ Release the battery positive cable cover.

▶ Remove the retaining nut.

▶ Disconnect the generator electrical connectors.

7 . Remove the generator.

▶ Remove the 3 bolts.



Installation

- 1 . Install the battery positive cable.
 - Connect the battery positive cable.
 - Tighten the retaining nut to 12 Nm (9 lb.ft).
 - Connect the generator electrical connector.
- 2 . Install the generator.
 - Install and tighten the generator upper fixing bolt, before the lower bolts.
 - Tighten the 3 bolts to 48 Nm (35 lb.ft).
- 3 . Install the front RH splash shield.
 - Carefully secure the clips.
- 4 . Install the front wheel.
 - Tighten the wheel nuts to 140 Nm (103 lb.ft).
- 5 . Install the accessory drive belt.
For additional information, refer to [Accessory Drive Belt \(86.10.03\)](#).
- 6 . Connect the battery ground cable.
For additional information, refer to [Specifications](#)
- 7 . Lower the vehicle.